

ORIGINAL INSTRUCTION



ELECTRIC OUTBOARD MOTOR OPERATORS MANUAL



CE



UK
CA

For the following models:

X05





X10

SAFETY

Barrus is concerned for your safety. We use safety statements throughout the manual to call your attention to the potential hazards associated with the operation of your electric propulsion outboard.

Follow the precautions listed throughout the manual before operation, during operation and during servicing/maintenance procedures for your safety, the safety of others and to protect the performance of your motor.

Safety alert symbols appear throughout the manual. It means attention, be alert as your safety is involved. Please read and follow the message that appears after the safety alert symbol.

 <p>NOTICE:</p>	<p>This indicates a situation which can cause damage to the machine, personal property and/or the environment or cause the equipment to operate improperly</p>
 <p>CAUTION:</p>	<p>This indicates a hazardous situation which, if not avoided, could result in minor or moderate injury.</p>
 <p>WARNING:</p>	<p>This indicates a hazardous situation which, if not avoided, could result in death or serious injury.</p>
 <p>DANGER:</p>	<p>This indicates a hazardous situation which, if not avoided, will result in death or serious injury.</p>

Engine Details

Engine Model Number:

Engine Serial Number:

Please enter your engine model number and serial number in the space provided above. Please quote the engine identification number during any enquiry or when ordering spare parts. Information about the engine serial number and its location on the engine can be found in **SECTION 2** of the manual.

This manual is for the following models:

- EZ-X05T
- EZ-X05R
- EZ-X10T
- EZ-X10R

Note: T = Tiller Steer, R = Remote Steer

Description

This range of electric outboards are unique in their design. Using a permanent magnet three phase D.C. brushless, water-cooled 48v electric motor, which is mounted directly behind the propeller. This gives an efficient and trouble-free method of power delivery. There is no traditional type impeller to wear out or change. Salt, silt, and sand does not enter the motor and, because there is no coolant or water inside the outboard, there is no danger of frost damage in the winter. This results in your electric outboard requiring far less maintenance than a conventional petrol unit.

They can be tiller or use an inboard shift and steering system. Bluetooth performance monitoring system is used to indicate main parameters.

Outboard specifications, Benefits and Optional extras

Specifications:

- 48 Volt electric outboard
- CE Marked
- UKCA Marked
- Water cooled permanent magnet, brushless electric motor
- Variable speed
- Adjustable leg length from short to long shaft
- Outboard tilt lock
- Adjustable transom angle position
- Safety lanyard

Benefits:

- Variable speed ranges. Can be locked for commercial and hire boat situations
- No canal, river or sea water enters the system
- No coolant to change
- No problems in shallow or dirty water
- No water pump impeller to replace
- Direct drive – no shaft gears or oil changes required
- Motor overload cut out
- Spare props of different sizes readily available
- Spare parts readily available
- Near silent in operation

Optional extras:

- Lithium-Ion Polymer batteries available
- Multiple battery packs can be linked
- Remote shift throttle lever for inboard steering position
- Cable steering system for inboard steering wheel application
- Other optional extras not listed are available

Operators Manual



NOTICE:

THIS MANUAL FORMS AN INTEGRAL PART OF THE OUTBOARD IT ACCOMPANIES, IF A TRANSFER OF TITLE OCCURS, IT MUST ALWAYS BE HANDED OVER TO THE NEW OWNER.

Thank you for purchasing this electric outboard motor from Barrus. This manual has been compiled to help you to operate your outboard and its associated parts with safety and pleasure. Please read it and familiarise yourself with the outboard and its parts before operation.

The information and recommendations given in this manual are based on the latest information available at the time of publication. Barrus reserve the right to change the specification of its products and manuals without prior notice.

Depending upon the equipment specification of the outboard and accessories fitted, there may be discrepancies or differences with the information presented in this handbook. No claims may be pursued in this respect.

Ensure that you read and understand the contents of the manual before attempting to operate the unit.

Disclaimer: All product, product specifications and data are subject to change without notice to improve reliability, function or design or otherwise. All product information is correct at the time of issue.

WARRANTY

This Limited Warranty provides coverage for one (1) year for all commercial applications and two (2) years for leisure customers. This is for mechanical parts and electrical parts from the date of warranty registration. The warranty is for non-serviceable items. The repair or replacement of parts, or the performance of service under this warranty, does not extend the life of this warranty beyond its original expiry date.

To ensure that you have been registered for your warranty, please detach and fill in the form on the back of this manual. Return it to the address given or email to Richard.Cooke@barrus.co.uk

The Warranty will only apply if the following have been carried out and the registration form has been completed and returned to Barrus.

CONDITIONS THAT MUST BE MET IN ORDER TO OBTAIN WARRANTY COVERAGE

Warranty coverage is only available from Barrus or an authorised dealer in the country in which the sale occurred. Routine maintenance outlined in the Owner's Manual must be performed using genuine parts in order to maintain warranty coverage. If the customer does not carry out normal maintenance or makes unauthorised alterations or modifications the warranty coverage will become void, Barrus reserves the right to make future warranty coverage possible only with proof of proper maintenance.

WARRANTY CLAIMS

Warranty claims shall be made directly to Barrus or by an authorised dealer.

The dealer will then arrange for the inspection and any necessary repairs. If the repairs carried out are not covered by the warranty, the purchaser shall pay for all related labour and material, and any other expenses associated with that service.

WHAT IS NOT COVERED

This limited warranty does not cover routine maintenance items, adjustments, normal wear and tear, damage caused by abnormal use (such as operating in shallow water), operation of the product in a manner inconsistent with the recommended operation/ duty cycle section of the Owner's Manual, accident, submersion, improper installation (proper installation specification and techniques are set forth in the Operations and First time running sections in this manual), use of an accessory or part not manufactured or sold by us, or alteration or removal of parts. Expenses related to crane-out, launch, towing, storage, telephone, rental, inconvenience, slip fees, insurance coverage, loan payments, loss of time, loss of income, or any other types of accidental or consequential damages are not covered by this warranty.



Damage due to rust or corrosion, submersion, or unreasonable exposure to the environment, such as exposure to high humidity, rain fall, or seawater, or conditions resulting in the freezing of cooling water are also not covered.

Index

	Page
SECTION 1 – Safety Precautions	11
1. General	11
2. Lifting	11
3. Rotating Parts	11
4. Propeller.....	12
5. Electrics	12
6. Batteries.....	12
7. Safety Lanyard.....	13
8. Motor Overload	14
9. Modifications	14
10. Boat.....	14
11. Passenger Training	14
12. Terminal Crimping.....	15
13. Applicable Standards	15
SECTION 2 – Component Identification	16
1. Tiller Control Model.....	16
2. Tiller Control	16
3. Remote Control Model (Option).....	17
4. Speed and Direction Control Lever (Option).....	17
SECTION 3 – Installation	18
1. Unpacking the Outboard Motor	18
2. Adjusting the Outboard Motor Transom Height	19
3. Mounting of the Outboard Motor	20
4. Adjusting the Outboard Steering Lock.....	22
5. Adjusting the Outboard Angle	22
6. Battery Selection	23
7. Lithium Ion Polymer (LiFePO4) Batteries.....	23
8. Battery Features (EB-4830 / EB-4850)	26
9. Lithium-Ion Polymer (LiFePO4) Batteries Precautions (EB-4830 / EB-4850).....	29
10. Lithium-Ion Polymer (LiFePO4) Batteries Warnings (EB-4830 / EB-4850).....	29
11. Battery Re-Booting.....	29
12. Battery Type Selection	29



13. Anderson Type Connectors	30
14. Battery Installation	30
15. Battery Storage	31
16. Connecting Speed and Direction Control Lever (Option).....	31
SECTION 4 – Operation	33
1. General	33
2. Starting Procedure (Outboard Motor with tiller control)	34
3. Starting Procedure (Outboard motor with speed and direction control lever)	35
4. Stopping Procedure (Outboard Motor with tiller control)	36
5. Stopping Procedure (Outboard motor with speed and direction control lever)	36
6. Tilting the Electric Outboard	37
7. Application Downloads and Information	39
SECTION 5 – Maintenance	42
1. General	42
2. Installing propeller (X05)	43
3. Installing Propeller (X10).....	44
4. Controller Alignment.....	47
SECTION 6 – Transportation and Storage	48
1. Transporting	48
2. Storage	48
SECTION 7 – Wiring Diagrams	49
1. Wiring Diagram for Electric Propulsion Outboard.....	49
SECTION 8 – Technical Data	50
1. Outboard Data.....	50
2. Dry Weight of Outboard Data	50
3. Shipping Weight and Packaging Dimensions.....	50
4. Outboard Dimensions	51
SECTION 9 – System Protection Characteristics	53
SECTION 10 – Spare Parts	54
SECTION 11 – Security Products	56
1. STAZO Nutlock.....	56
2. STAZO Security Chain.....	56
3. STAZO Bracket Nut	57

4. STAZO Outboard Lock.....	57
5. Talamex Outboard Motor Lock.....	58
SECTION 12 – Afterlife Recycling	59
SECTION 13 – Declarations	60
1. Declaration of Conformity for Recreational Craft Propulsion Engine with the requirements of Directive 2012/53/EU.	60
2. Declaration of Conformity for Recreational Craft Propulsion Engine with the requirements of the Recreational Craft Regulations 2017 (UKCA Marking).....	62
3. LiFEP04 Battery TUV Safety Data Sheet.....	64

SECTION 1 – Safety Precautions

1. General



NOTICE:

NEVER PERMIT ANYONE TO OPERATE THE OUTBOARD WITHOUT PROPER TRAINING.

Ensure that the engine battery isolator switch is in the off position before connecting the battery or carrying out any maintenance/ repairs. Also, when the outboard is not in use.

2. Lifting



DANGER:

CRUSH HAZARD! NEVER STAND UNDER A HOISTED ENGINE. IF THE HOIST MECHANISM FAILS, THE ENGINE WILL FALL ON YOU, CAUSING SERIOUS INJURY OR DEATH.

- Note: Suitable safe lifting equipment must be used to lift, move and mount the outboard onto the boat.
- The batteries used for the outboard will be heavy. Make sure safe lifting procedures or suitable cranes or hoists are used when moving and installing them.

3. Rotating Parts



WARNING:

SEVERE HAZARD! KEEP HANDS AND OTHER BODY PARTS AWAY FROM MOVING/ROTATING PARTS. WEAR TIGHT FITTING CLOTHING AND KEEP YOUR HAIR SHORT OR TIE BACK. REMOVE ALL JEWELLERY BEFORE COMMENCING WORK. CHECK BEFORE STARTING THE OUTBOARD THAT ANY TOOLS OR RAGS USED DURING MAINTENANCE HAVE BEEN REMOVED FROM THE AREA.

The outboard and its accessories are not intended to be put into operation until they are integrated into the boat as a whole. The top cowl must always be fitted whilst the motor is running.

4. Propeller



- The propeller has sharp edges which can cause injury even when it is stationary. If there is someone in the water near the motor, it must be switched off.
- If the propeller is damaged, it may become unbalanced and cause either bad vibrations or the outboard to fail. Do not use the outboard in this situation.

5. Electrics



- Do not touch any electrical parts while operating the motor. The electrical parts may cause shock or electrocution.
- Ensure all electrical connections are insulated against accidental short circuit.

6. Batteries



EXPLOSION HAZARD! NEVER SHORT OUT THE BATTERY TERMINALS, INCLUDING WHEN CHECKING THE REMAINING BATTERY CHARGE THIS WILL RESULT IN A SPARK AND MAY CAUSE AN EXPLOSION OR FIRE.



WARNING:

BURN HAZARD! BATTERIES CONTAIN SULPHURIC ACID. NEVER ALLOW BATTERY FLUID TO COME IN CONTACT WITH SKIN, EYES OR CLOTHING. SEVERE BURNS COULD RESULT. MAKE SURE THE CORRECT PERSONAL PROTECTION EQUIPMENT IS WORN.

- Batteries can produce explosive gases; keep sparks and flames away from the battery.



NO SMOKING

- Lead Acid batteries contain sulphuric acid; if splashed on skin or eyes, flush well with water and seek medical advice.
- Keep battery tops and battery compartment ventilated at all times.
- If disconnecting the battery; remove the earth lead **FIRST**; and re-connect it last.
- If charging the battery; ensure that the charger is switched off before connecting and disconnecting.
- Do not tip the battery on its side.
- Please see label on battery or manufacturer's instructions for specific information.
- A battery master (on/off) switch must be installed in the system.
- Lithium ion batteries have other safety features that must be followed, refer to **Section 3 – Installation** and **Section 13 – Declarations** for more information.

7. Safety Lanyard



WARNING:

- The magnetic safety lanyard tag should always be attached to the stop switch area on the outboard tiller or remote shifter and the person operating the boat before the motor is started. This will prevent the outboard from operating if the operator falls overboard or leaves the helm.



Figure 1: Safety Lanyard



The outboard will not operate if the safety lanyard is not in place. Ensure there is a spare one on the boat and passengers know where it is.

8. Motor Overload

- If the motor is excessively overloaded (by either extended running at high speed or using a propeller which is too big for the application) the motor will derate.
- If the motor stops all drive will be lost, which may be hazardous.
- If the motor stops, move the speed control lever to the stop position. Slowly move the speed control to the drive position which will start the motor again.
- Continue at a reduced speed until the initial cause of the overload has been resolved.

9. Modifications

Do not attempt to modify the outboard motor as this is likely to reduce safety and reliability. Any modifications will mean that the outboard will not be liable for warranty and maybe illegal to use.

10. Boat

- Ensure the boat, that the outboard motor is being fitted to, has the capability of accommodating the power and weight of the unit. (including the batteries).
- Ensure that any requirements of the boat manufacturer are adhered to.
- Consider location of the batteries in regard to weight distribution within the boat.

11. Passenger Training

- Ensure that at least one Passenger is trained to operate the boat in the event of an emergency.

12. Terminal Crimping

Ensure that a professional type crimping tool is used for crimping all heavy-duty cable connections. Failure to do so can result in poor performance, system failure, terminal overheating or in some cases melting of plastic terminal plugs or even fires.

13. Applicable Standards

Ensure that the fitting and installation of the electric outboard motor, batteries, battery storage, cables and control systems comply with all relevant local, national and international standards.

SECTION 2 – Component Identification

1. Tiller Control Model

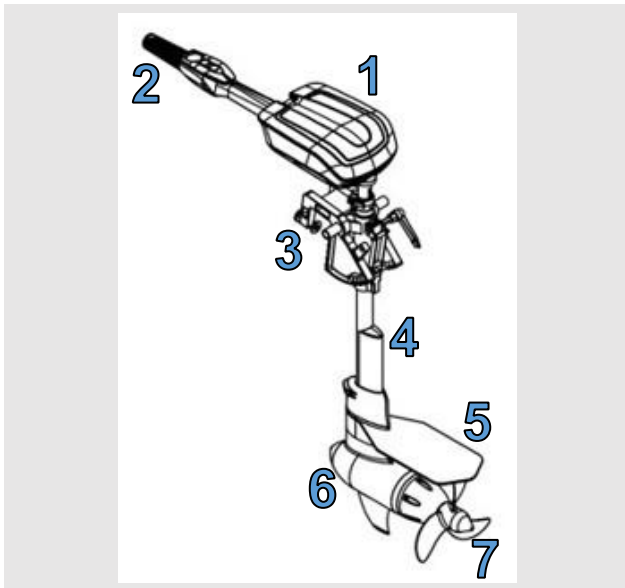


Figure 2: Tiller Controlled Outboard

	Description*
1	Outboard Cowl
2	Tiller Control
3	Transom Mounting Bracket
4	Leg
5	Anti-Cavitation Plate
6	Motor
7	Propeller

2. Tiller Control



Figure 3: Tiller Control

	Description*
1	Speed Control Twist Grip
2	Direction Display
3	Safety Lanyard
4	Mode Switch
5	On/Off Power Button
6	Neutral Position Indicator

Note: A number of optional extras may be fitted to the motors, that are not shown here.

Note: The serial number can be found on the top of the control unit.

Note: The On/Off Power Button is illuminated green when it is in the on position.

3. Remote Control Model (Option)

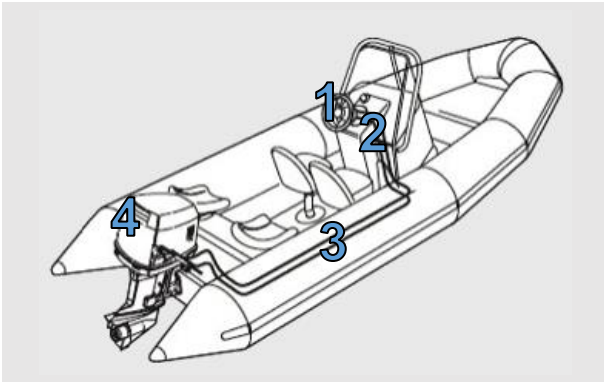


Figure 4: Remote Controlled Outboard

Description*	
1	Steering Wheel
2	Speed and Direction Control Lever
3	Steering Cable
4	Electric Outboard

Note: A number of optional extras may be fitted to the outboards, that are not shown here.

4. Speed and Direction Control Lever (Option)



Figure 5: Speed and Direction Control Lever

Description*	
1	Safety Lock
2	Control Grip
3	Connecting Cable
4	Safety Lanyard
5	Mode Switch
6	On/Off Power Button
7	Extension Lead Connecting Plug
8	Extension Cable (3.1 Metres)



Figure 6: Extension Cable

SECTION 3 – Installation



NOTICE:

REFER TO THE BARRUS MANUAL PRIOR TO INSTALLING THE MOTOR.

1. Unpacking the Outboard Motor

- The outboard motor will arrive in a wooden box. **Section 8.3** details shipping weight and packaging dimensions. Use suitable personal protective equipment for unboxing.



Figure 7: How the outboard motor will arrive

- Use a screwdriver to open the wooden box carefully. Do not damage the wooden box.
- Make sure to remove all screws and/ or staples from the sides of the box.



Figure 8: Opening the wooden box

- Check to make sure the following parts are in the box:
 1. Outboard Motor
 2. Safety Key
 3. Anderson Connector
 4. Hexagonal Spanner and Screwdriver
 5. Speed and Direction Control Lever (Option)

Note: There is a right-handed speed and direction control lever available at an additional cost (Part No.: GM-TRC-010R)

Note: Assembly instructions can be found in **Section 5 - Maintenance**.

2. Adjusting the Outboard Motor Transom Height

Note: The outboard has an adjustable transom height system, there are a number of positions to choose from between short and long shaft.

- Prior to fitting the outboard motor make sure the correct transom height is chosen for the hull of the vessel. (see 3. Mounting of the Outboard Motor).
- To adjust the transom height, open the quick release clip and move the shaft up or down to the required height, then close the quick release clip.

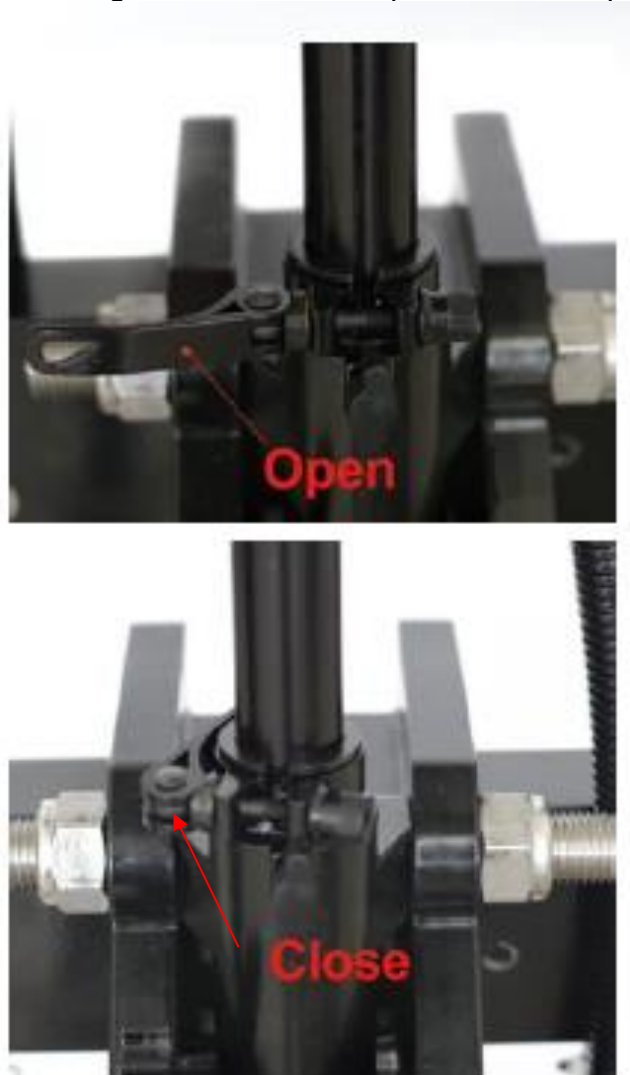


Figure 9: Adjusting the transom height

3. Mounting of the Outboard Motor

- The outboard needs to be mounted so that the boat is balanced. For single-engine boats mount the outboard motor on the centre line (keel line) of the boat.

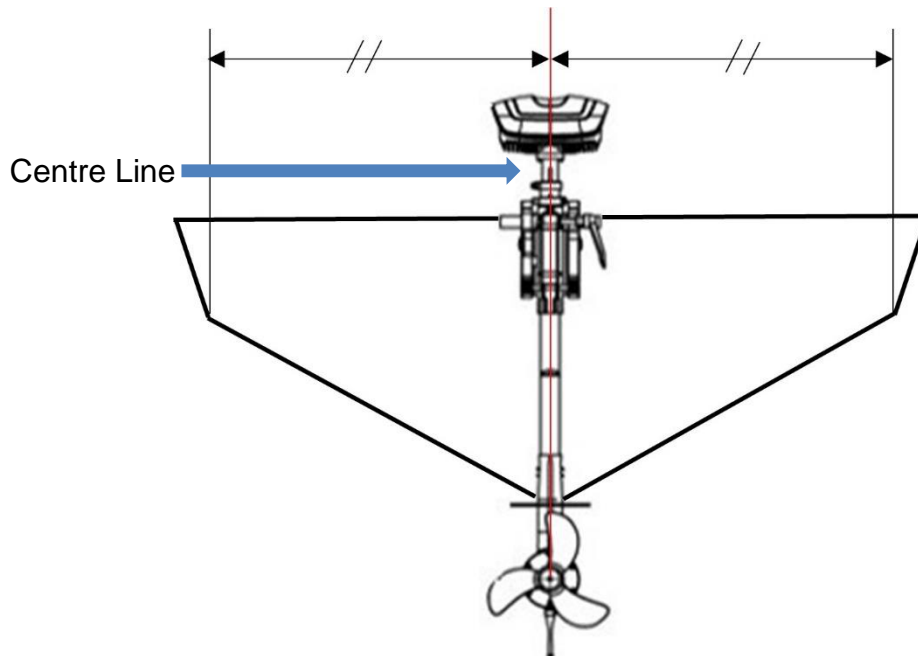


Figure 10: Centre Line (Keel Line)

- Mount the outboard motor ensuring the anti-cavitation plate is 25mm (1") below the bottom of the boat.

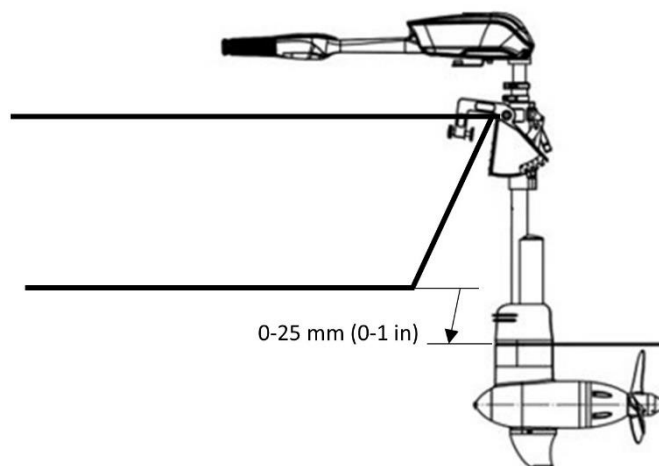


Figure 11: Mounting Height



It is important that the outboard is installed at the correct height. If it is mounted too high, air will enter the propeller area and cause cavitation. This will cause loss of drive, noisy operation and loss of maximum potential speed. If it is mounted too low, it will cause excessive drag in the water, using more power. In shallow water it may become restricted and hit the bottom causing damage to underwater components.

- Fit the outboard to the boat, securing with the thumb screws on the transom.
- Holes are provided to drill through and enable additional bolts to secure the outboard to the transom.



Figure 12: Fitting outboard to boat

4. Adjusting the Outboard Steering Lock

- The outboard steering sensitivity can be adjusted by tightening or loosening the steering lock bolt.
- The outboard will arrive with the bolt fully tightened, to maintain stability during transport and initial assembly.

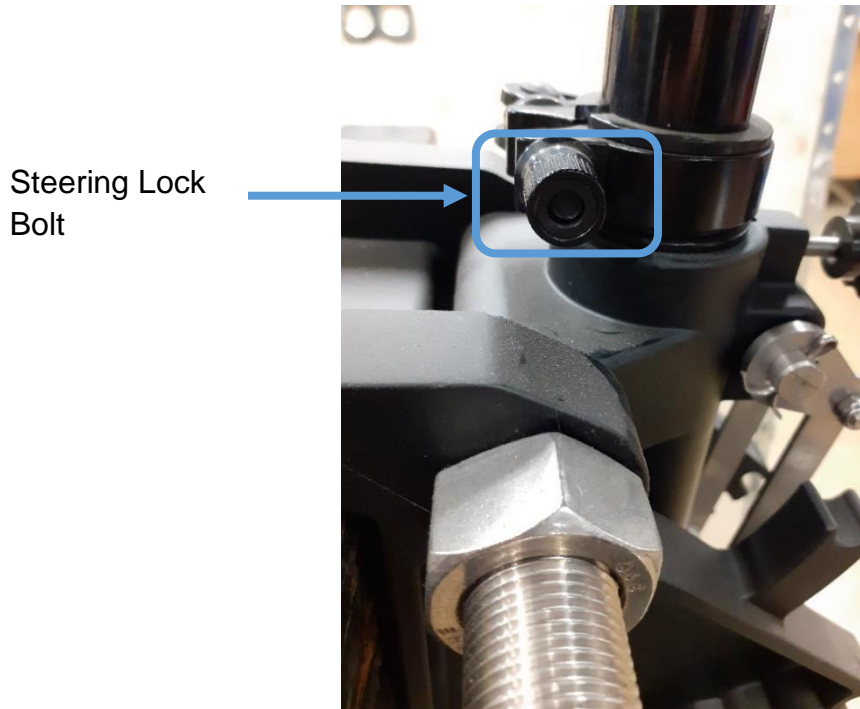


Figure 13: Steering Lock Bolt

5. Adjusting the Outboard Angle

- This is much easier to do before the boat is put into the water.
- Open the quick release handle, rotate the motor so the pins line up with the desired holes, close the quick release handle.
- There are 4 angles to choose between.

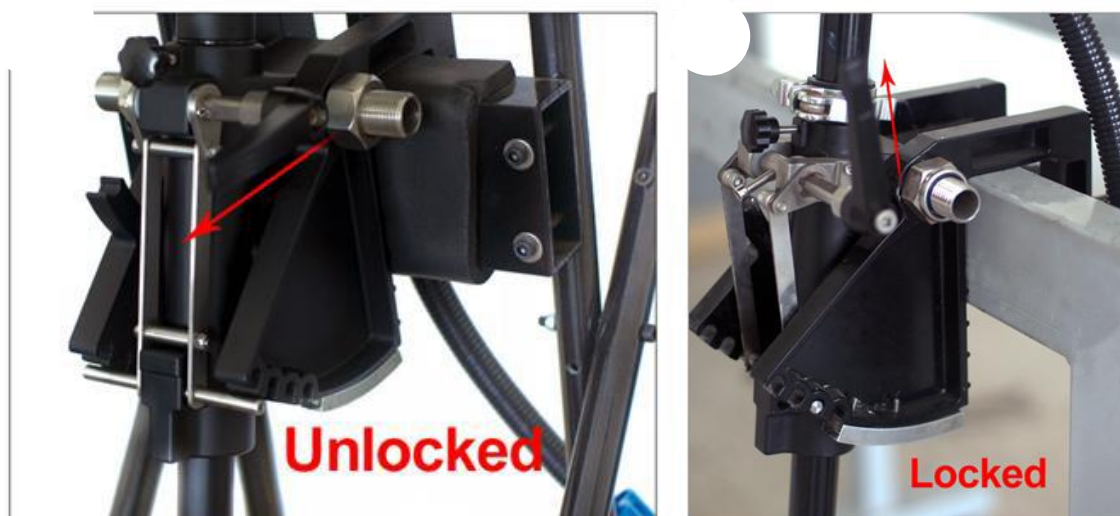


Figure 14: Adjusting angle of the outboard

6. Battery Selection

- There are many types of battery available that can be used with this range of electric outboards. It should be noted that they should be deep cycle traction and of the correct voltage (48 Volts).
- The outboards will be set up to work best with lithium-ion polymer batteries, however the settings can be changed to better suit lead acid batteries, or similar. The lower the cut off voltage for the batteries, the more likely they are to get damaged.



Care should be taken when switching from lead acid to lithium-ion polymer batteries, as the settings of the controller may need to be re-programmed. Such programming can only be carried out by an authorised dealer, using a computer.

- The size of the battery bank required to power the outboard motor will depend on the current draw you plan to regularly place upon it and the distance you plan to travel. It is difficult to determine the current draw until the outboard motor is used as each boat has a different hull shape, length, displacement, speed and daily operating cycle requirement. Only one 48V Barrus battery module is required to run the X-series outboards. Additional battery modules can be added to increase the range. Battery modules can be easily connected in parallel to form a larger capacity battery bank.



If using batteries from other manufacturers or sources, these may be either 12v or 24v. The batteries must be connected in such a way as to give 48v.



Always use Blue Anderson type connector plugs for 48 Volt batteries and connecting cables to avoid potential injury and/or damage to the battery and outboard.

Note: Different colours are used for different voltages to avoid connecting batteries of the incorrect voltages.

7. Lithium Ion Polymer (LiFePO4) Batteries

- These batteries are considered safer than conventional Lithium-Ion batteries
- Barrus offers a number of options

EB-4830 and EB-4850 – Single 48V 30Ah and 50 Ah (Amp Hour) Battery

- This comes with its own charger; it is fitted with a suitable quick connect plug for this purpose.
- Normal charge time using the standard charger is about 6 hours.
- The battery has a useful gauge on the top which, by pressing the desired button, can

display:

- Voltage



Figure 15: Voltage Display

- Current Draw



Figure 16: Amps Display

- Amp Hours



Figure 17: Amp Hours Display

- Battery Percentage



Figure 18: Battery Percentage Display

- The battery percentage display acts in a similar way to a fuel gauge, with 100% being full (fully charged) and 0% being empty (discharged).

Single 48V 30Ah (Amp Hour) and Single 48V 50Ah Battery Specification

	48V/ 30Ah (EB4830)	48V/ 50Ah (EB4850)
Weight	16kg	27kg
Nominal Voltage	48v	48v
Charge cut-off voltage	58 ± 0.5v	58v ± 0.5v
Overcharge cut-off voltage	59v	59v
Normal charger current	3 Amps	7 Amps
Normal charge time	10 Hours	7 Hours
Max charge current	30 Amps	25 Amps
Fast charger time (Optional extra)	1 Hour	2.5 Hours
Normal discharge current	30 Amps	80 Amps
Max discharge current	80 Amps	130 Amps
Over discharge protection current	90 Amps	150 Amps
Working temperature charging	0°C to 40°C	0°C to 45°C
Working temperature discharging	-10°C to 60°C	-10°C to 60°C
Storage temperature	0°C to 40°C	-10°C to 40°C
Maximum storage period without charging	1 Year	1 Year
Maximum operating cycles	1000	1000

Note: 1000 cycles is the number of cycles that the battery should operate at full output. After this time, the battery will continue to work but will gradually give less output/duration.

Note: Batteries that are not so deeply discharged will have a longer life than those that are lightly discharged.

- Connect the battery to the outboard harness as per (**Figure 19**).

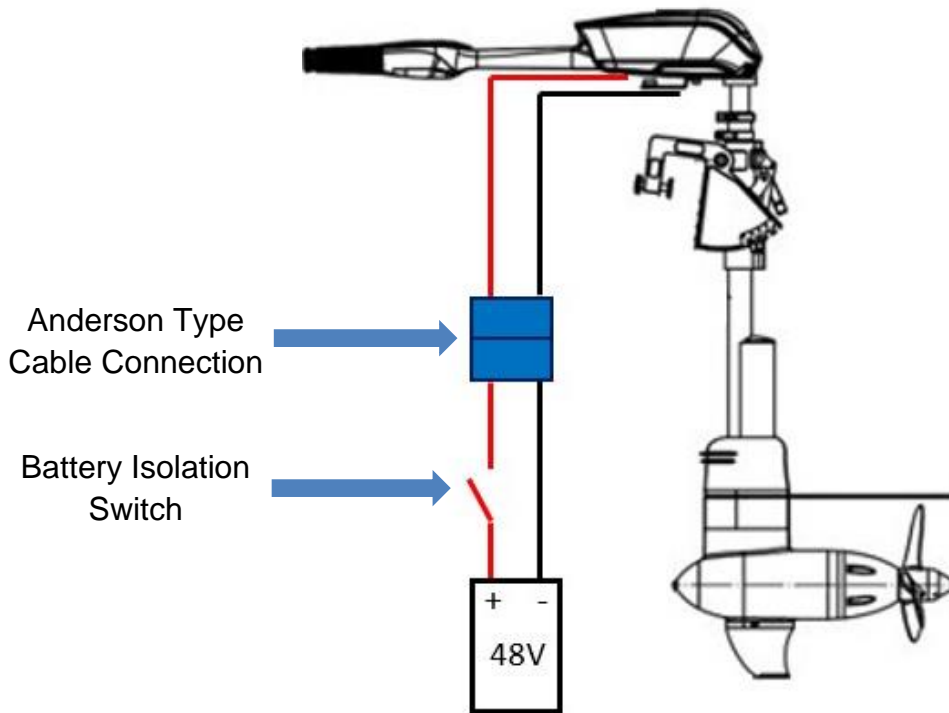


Figure 19: Battery Connections

- The outboard motor voltage is 48v (one EB-4830 or one EB-4850 Lithium-Ion battery).
- The table below shows the minimum battery and equipment specification required for the different outboard motor models.
- To stop safety risks, capacity losses and contact point losses, only the same type of batteries (same manufacturer, same capacity, same age and same charge condition) should be used together.

Model	Minimum Cable Size	Minimum Battery Isolation Switch Specification
5hp / 10hp Outboard	25mm ²	300A 48V



Differences in the charge condition of batteries wired in series can cause high compensatory currents or overloads which can damage the cables, connectors or battery. In extreme situations this can cause fires and injuries.

8. Battery Features (EB-4830 / EB-4850)

Battery Management System (Built into the battery structure)

- This prevents damage by over-charging and over-discharging. Also, in the case of a short circuit.
- If any of these situations occur, the battery will simply cut out. The display will

disappear. If the battery is reconnected to the charger, plugged into the mains supply and switched on, it will re-boot the battery and turn it back on again.

Multi-Plug Connector

- A full-size multi plug with a short cable is supplied to allow for quick connect or disconnect. As many as four batteries can be connected to the outboard at the same time using the connector. (**Figure 20**)
- If two or more 48v batteries are connected together in parallel, it is not a problem, they will equalise the charge whilst in use.

Note: 48V batteries only to be used with the multi-plug connector

- If two or more batteries are charged together, they can be connected and either all be charged with a charger each or one charger for all of the batteries, but at a slower rate.



Figure 20: Multi-Plug Connector

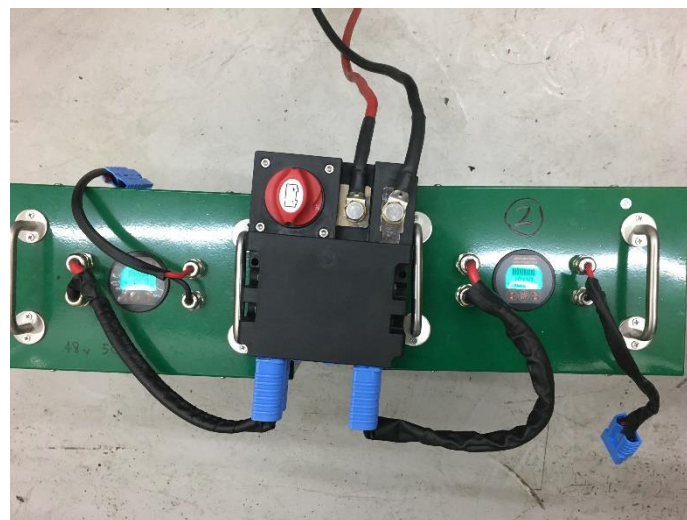


Figure 21: Two batteries connected in parallel with the Multi-Plug Connector

- Alternatively, the outboard motor can be powered by suitable deep cycle traction batteries, sourced by the customer.
- The table below shows the minimum battery and equipment specification required for the different outboard motor models.

Model	Minimum Cable Size	Minimum Battery Specification	Minimum Battery Isolation Switch Specification
5hp / 10hp Outboard	25mm ²	Qty 4 x 12V 85Ah Deep Cycle Absorbent Glass Mat (AGM) Traction Battery (Wired in series)	300A 48V

- To stop safety risks, capacity losses and contact point losses, only the same type of batteries (same manufacturer, same capacity, same age and same charge condition) should be used together.



Differences in the charge condition of batteries wired in series can cause high compensatory currents or overloads which can damage the cables, connectors or battery. In extreme situations this can cause fires and injuries.

- The table below shows an example of how long the outboard motor can be used in a specific application before the batteries will require charging.
- Please note that boat sizes, hull shapes and battery sizes will give different results. This means longer travel times can be achieved, depending on the application. The following values are based on a 16ft Cabin Cruiser.

Model	Battery Supply	Battery Capacity Available	Speed	Battery Usage Time
EZ-X10T/R	8 x 12V 65Ah Deep Cycle AGM Traction Battery	3.1kWh	2.2 knots (2.5mph)	5 hours
			3.2 knots (3.7mph)	3 hours 20 mins
			4.2 knots (4.8mph)	1 hour

- The table below shows the average charging time for the batteries when they have

been discharged.

Battery Supply	Battery Charging Time (Hours)
4 x 12V 85Ah Deep Cycle AGM Traction Battery	4 (Approx.)
4 x 12V 105Ah Deep Cycle AGM Traction Battery	6 (Approx.)

9. Lithium-Ion Polymer (LiFePO4) Batteries Precautions (EB-4830 / EB-4850)

- Do not store or use the battery at high temperature, this prevents overheating.
- Do not use the battery in areas with a strong magnetic field or static electricity.
- Should the battery leak, and electrolyte gets into your eyes, do not rub them. Instead rinse your eyes with clean water and seek medical attention immediately.
- If the battery secretes an odour, generates excessive heat or becomes discoloured or deformed at any time, remove it from the device or battery charger and stop using it.
- If the battery terminals become dirty, clean with a dry cloth before use. This prevents potential loss in efficiency due to poor connections.
- Discarded batteries may cause fire or explosions: tape the battery terminals to insulate them.

10. Lithium-Ion Polymer (LiFePO4) Batteries Warnings (EB-4830 / EB-4850)

- Do not immerse the battery in water and keep the battery in a cool dry environment.
- Do not leave the battery near a heat source.
- Use the correct charger for the battery.
- Do not reverse the positive and negative terminals.
- Do not connect the battery directly to a mains power electrical outlet.
- Do not connect the positive and negative terminals to metal objects, this will cause the battery to short-circuit.
- Take care when transporting the battery, ensuring not to store it with metal objects.
- Do not directly solder the battery or remove the protective casing.

11. Battery Re-Booting

- If the battery is stored for a long period of time it may switch off internally. Or if the battery is over discharged it will trip out and switch off.
- To restart the battery, connect the battery to the battery charger. This should then cause the battery to re-boot and turn on again.

12. Battery Type Selection

- Customers may source suitable batteries locally. Please ensure that the battery manufacturer's instructions are followed and adhered to.
- Optional battery types are available for use with these motors.

- Ensure all of the instructions and precautions are followed when using these batteries.

13. Anderson Type Connectors

- The cables for the batteries and the electric outboard are connected using Anderson type connectors (**Figure 22**).



Figure 22: Anderson Type Connector

- The table below shows the specification of the Anderson type connector

	X05 / X10
UL Current Rating (Amperes)	175
UL Voltage Ratings (Volts)	600
AVG Contact Resistance (micro-ohms)	100
Flammability Rating of Housing Material	UL94 V-0

- The Part number for the Anderson type connector is RDG206A48.

***Note:** See Section 1 – 12 safety precautions referring to terminal crimping.

14. Battery Installation

- Ensure the batteries are stored in a well-ventilated compartment, that complies with the requirements of the R.C.D (recreational craft directive) or other appropriate regulations.
- They must be covered to prevent damage and accidental short circuit of the cells, connections and batteries.
- Batteries must be clamped down to prevent them from moving.
- Suitable connections must be used, the correct type of cable for the current carrying capacity, insulation properties and be of the flexible type.
- Every system must have a suitable battery master switch and main fuse to turn off and isolate the electrical system in the event of an emergency or when the boat is not in

use. The switch for this must be readily accessible.

- The system also has a fuse (Circled on **Figure 23**) mounted on the main power inlet cable on the outboard.

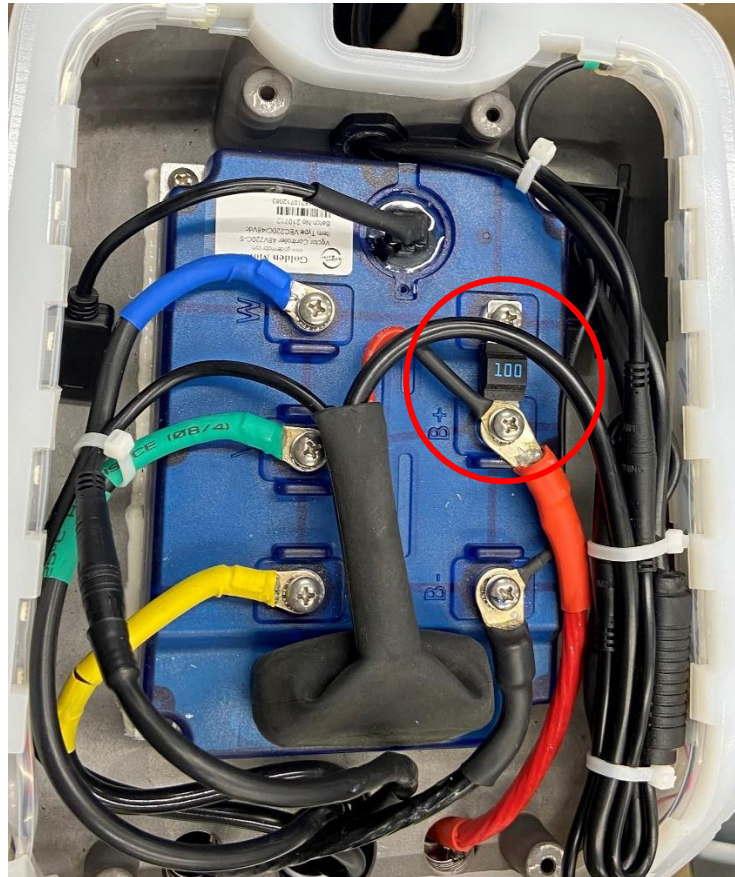


Figure 23: Fuse Position on a X05 Outboard

15. Battery Storage

All batteries should be stored in a warm/ dry environment, fully charged and isolated from the electric outboard.

16. Connecting Speed and Direction Control Lever (Option)

- The outboards are available either as tiller operation or as an inboard with remote shift/control. These either come as standard or can be fitted as an option.
- The plug on the Control Lever is connected to the plug on the outboard motor (**Figure 24**).
- Ensure locating arrows are aligned before connecting.



When the Speed and Direction Control Lever is connected to the outboard the Tiller Control will NOT operate.



Figure 24: Control Lever connected to Outboard Motor

SECTION 4 – Operation



NOTICE:

REFER TO THE BARRUS MANUAL PRIOR TO OPERATING THE MOTOR.

1. General

- Familiarize yourself with the electric outboard controls. For example, you must be able to stop the electric outboard quickly if required, or in an emergency.
- The electric outboard should only be operated by adults who have been instructed on how to operate the outboard and have read this manual.
- Follow the boat manufacturer's instructions on the acceptable outboard maximum weight and power output for the boat. Do not exceed the capacity limits.
- Stop the electric outboard immediately if someone falls overboard.
- Do not submerge the electric outboard controller or other electrical items in water.
- Only run the electric outboard when the propeller is under water. If the outboard is run in the air, the shaft sealant rings (for sealing the motor to the propeller) can be damaged.
- When the electric outboard is mounted, the tiller electronics are splash proof only. The tiller and shaft head are not designed to be submerged as this can damage the electronics beyond repair.
- After use, turn off the connection between the motor and the battery using the main battery isolation switch. This completely cuts the power supply to the electric outboard which will help prevent the batteries from discharging when the outboard is not in use.
- For manoeuvring in close to shore or pontoon the three mode switch should be in the E (economical) position to ensure slow and steady control of the outboard.
- Do not operate in shallow water or component damage will occur.

2. Starting Procedure (Outboard Motor with tiller control)

- Attach the magnetic safety lanyard to the tiller arm of the outboard (**Figure 25**).



Figure 25: Safety Lanyard attached to the stop switch

- Attach the other end of the safety lanyard to the operator's life jacket or leg.



The outboard will not operate if the safety lanyard is not attached.

- Make sure the speed control twist grip is in the neutral position.
- Select the mode you want to use (Sport, Normal or Economic) on the mode switch
Note: The outboard has 3 modes (Sport (S), Normal (N) and Eco (E)), which have different speeds that are a percentage of the maximum throttle. The default settings are: Economic 25%, Normal 60% and Sport 100%. These can be altered using the EZ Outboard Application (See 7. Application Downloads and Information).
- Press the power button. The light on the power button will illuminate green.
- Slowly twist the speed control twist grip to start the outboard in the direction required (Turn anti-clockwise for forward ('F') and clockwise for reverse ('R')).
- To increase the speed, twist the speed control twist grip further.

3. Starting Procedure (Outboard motor with speed and direction control lever)

- Ensure that the lever is in the neutral position.
- Attach the safety lanyard to the control lever connected to the outboard (**Figure 26**).

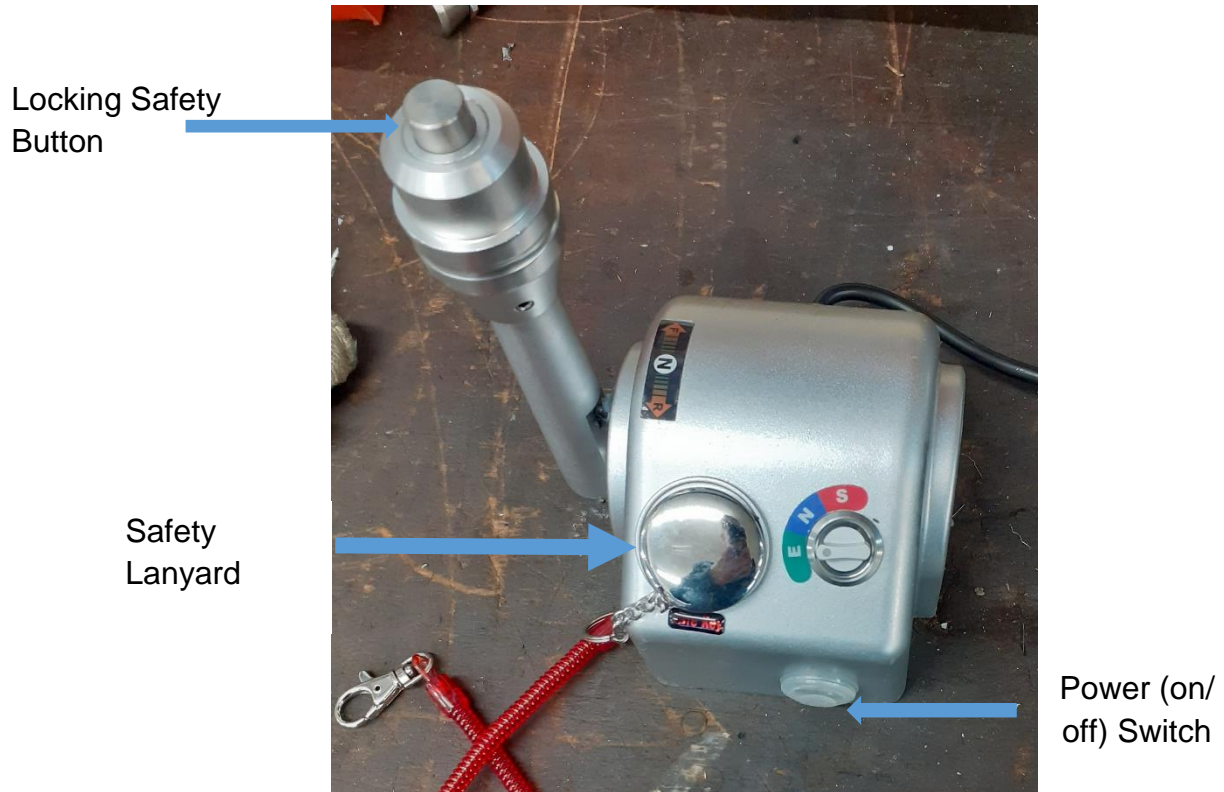


Figure 26: Safety Lanyard attached to control lever

- Attach the other end of the safety lanyard to the operator's life jacket or leg.



The outboard will not operate if the safety lanyard is not mounted in its correct location.

***Note:** The lever must be installed to move the boat forwards when the lever is moved forward.

- Press the power button. The light on the button will illuminate green.
- Press the locking safety button on top of the lever down.
- Slowly push the speed and direction control lever in the direction required (forwards or backwards) to start the outboard.
- To increase the speed, move the speed and direction control lever further forwards.



Figure 27: Speed and Direction Control Lever in forward position

4. Stopping Procedure (Outboard Motor with tiller control)

- Put the speed of the motor to the neutral position using the speed control twist grip. This will stop the propeller.
- Press the power button. The light on the button will go off.

5. Stopping Procedure (Outboard motor with speed and direction control lever)

- Put the speed of the motor to the neutral position using the control lever. This will stop the propeller.
- Press the power button. The light on the button will go off.

6. Tilting the Electric Outboard

To put the electric outboard in the raised position:



Ensure the motor is stopped and the battery disconnected.

- Open the quick release handle.

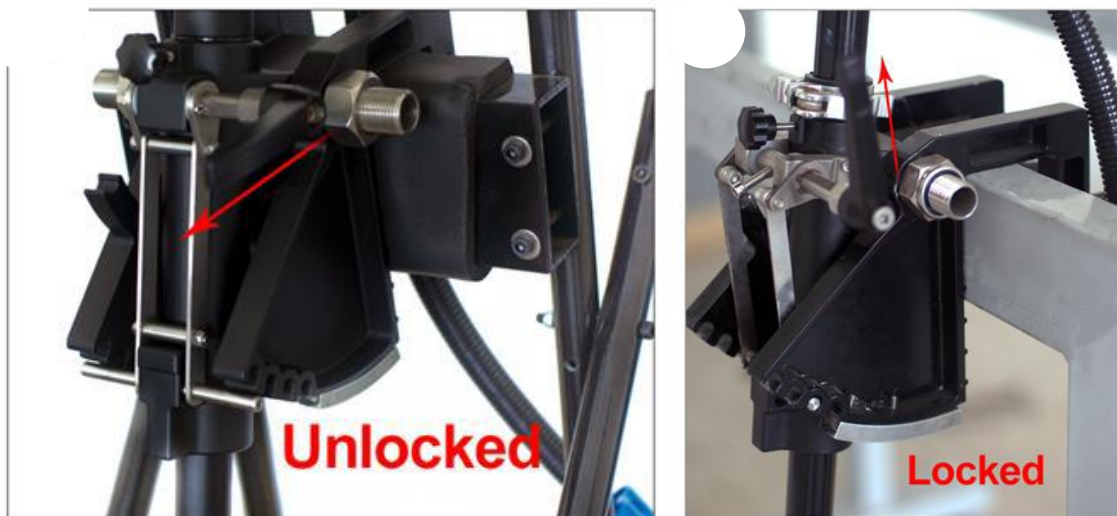


Figure 28: Tilt Lock Lever

- Lift and tilt the electric outboard up. Lift and tilt the outboard until the lift latch engages and this will hold the leg in the raised position.

To adjust the trim angle:

- When the quick release handle (**Figure 28**) is open the motor can be moved to adjust the trim angle.



Figure 29: Trim Pin

- Closing the quick release handle will move the pin back into the slot.

To put the electric outboard in the down position:

- Tilt the leg slightly up and move the release lever out. Slowly, tilt the outboard down and release the lever.

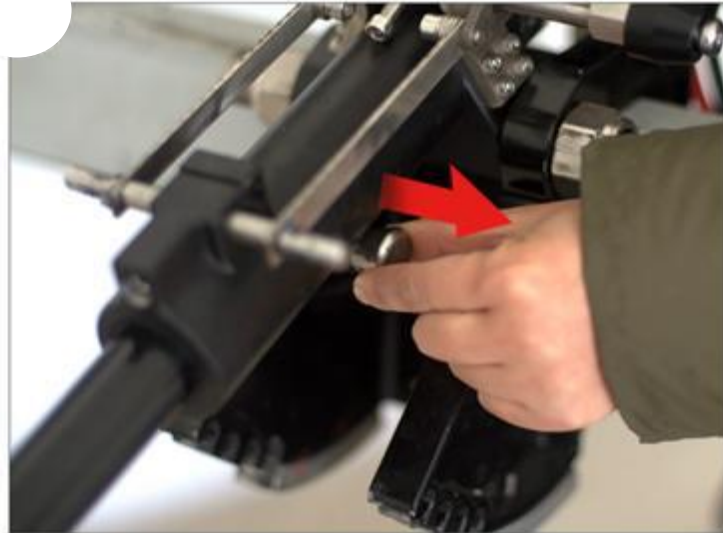


Figure 30: Outboard release lever (being pulled out to lower the motor)

- Set the tilt lock lever to the locked position.



When running the tilt lever must be in the locked position. Failure to do this will result in the outboard leg lifting out of the water if reverse (astern) direction is engaged. This is potentially very dangerous as the propeller will be rotating.

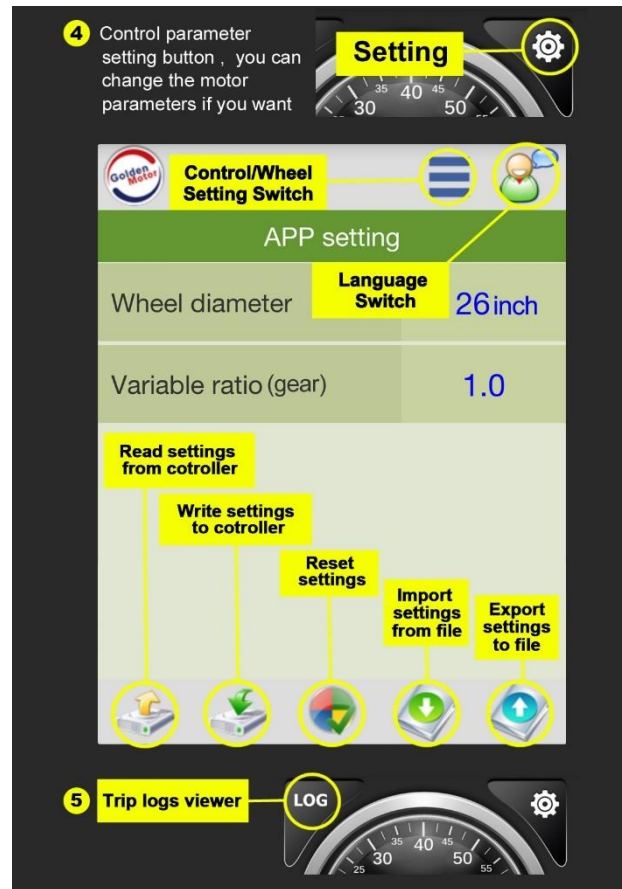
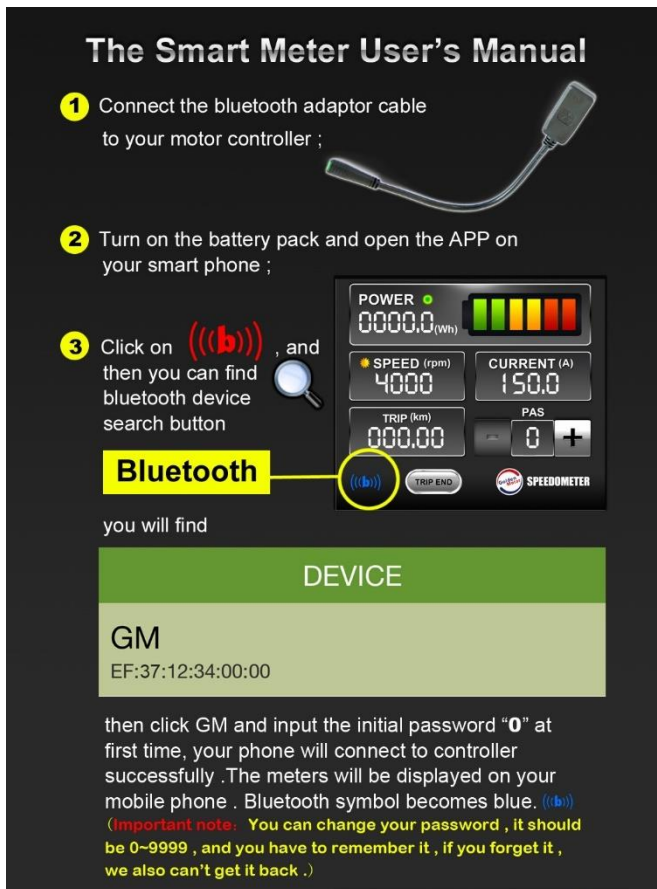
7. Application Downloads and Information

- EZ offers a FREE Smartphone meter display app, which is supported by both Android and Apple iOS. The app can be downloaded from the respective links ([Download EZdashboard.apk \(2.3MB\)](#))([App Store URL: Install EZoutboard-UI](#)) alternatively the app can be downloaded from the Electric Outboard page of <https://goldenmotor.com/>
- The app allows users to track the outboards speed, current and power. It also enables the logging of journeys and setting the maximum rpm limits as a percentage across the three modes.
- The speed logged can be shown in either km/h or mph.
- This is particularly useful if not using the Barrus (EB-4830 / EB-4850) LiFePO4 batteries as alternative batteries are unlikely to have the visual display gauge on top (See figures 15,16,17 and 18).
- The Bluetooth adaptor dongle should already be in place when the outboard arrives.
- If it is not in place: Ensuring your electric outboard is turned off and disconnected from the battery, carefully remove the cowl. Locate the Bluetooth adaptor port, pictured below. Lift the rubber cover and insert the Bluetooth adaptor dongle into the six-pin male plug. Ensure there is adequate space around the outboard and propeller before turning it back on. Upon restarting, the light on the end of the dongle should flash green.



Figures 31 & 32: Bluetooth Connection

- After you have connected the Bluetooth adaptor, replace the cowl.



Figures 33 & 34: App Manual

Note: Often the motor will appear as “LDMC” or similar on the in-app Bluetooth menu.

Note: The app may appear in a different layout on the iPhone version.

- The log section of the app allows users to download a spreadsheet with information about the outboards speed, current and power as well as the motor and controller temperatures.
- The time interval (in seconds) between logs can also be adjusted using the settings tab.

- The app has the ability to set the 3 modes to different percentages of maximum throttle. The default for each of the three modes is: Economic 25%, Normal 60% and Sport 100%. These can be altered to the desired percentages at your own discretion. To do so, open the settings tab as explained in part 4 above. Toggle along the top to the 3-Gear Settings tab. Here you can adjust each setting ratio. Once changed you can then upload this to the motor by clicking the cloud button at the bottom. This can be seen in the picture below.
- Once uploaded the motor will continue to beep constantly until it has been restarted. Doing this, sets the maximum outboard speeds for each mode limit.

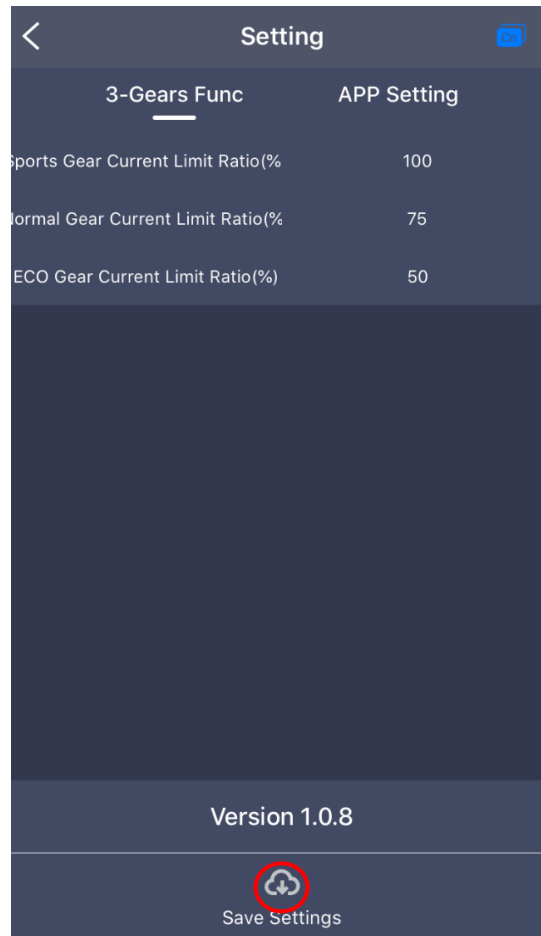


Figure 35: Setting Outboard Speeds

- Once the settings have been uploaded to the outboard, they will not change unless modified through the app, even if the battery is disconnected or the Bluetooth dongle is removed.
- The phone will disconnect from the outboard if it is moved out of range, the application is closed, or Bluetooth is disabled on the phone.

Note: The screenshots in this manual show the app as it appears in version 1.0.8. Future versions may have new features and could look different.

SECTION 5 – Maintenance



NOTICE:

REFER TO THE BARRUS MANUAL PRIOR TO CARRYING OUT ANY MAINTENANCE WORK.



WARNING:

PRIOR TO CARRYING OUT ANY SERVICE OR MAINTENANCE WORK MAKE SURE THE RELEVANT PERSONAL PROTECTION EQUIPMENT IS WORN.

1. General

- The person who is to carry out the maintenance of the outboard motor needs to have the relevant mechanical and electrical competence to do so. If you do not have the relevant skills or tools it is recommended that the maintenance is carried out by your local dealer or qualified mechanic.
- The maintenance may involve being in the proximity of moving, hot or electrical parts. To reduce the risk of injury always make sure the motor is switched off and the battery is disconnected.
- If replacement parts are required always use genuine parts or parts of the equivalent design and quality. A list of replacement parts is in **Section 10 - Spare Parts**. Please contact your local dealer to order the replacement parts.
- Ensure that all installations and boat alterations comply with any appropriate local, regional, national or international regulations. When installing new propulsion systems (that are not identical to the original ones) into existing craft, a new vessel Post Construction Assessment will be required, and carried out by an independent notified body.

2. Installing propeller (X05)

- Insert cylindrical pin into the upper hole of the motor shaft.



Figure 36: Cylindrical Pin (X05)

- Fit propeller and nylon washer



Figure 37: Fitment of the Propeller (X05)

- Fit stainless steel washer, slotted nut and split pin.



Figure 38: Fitment of Propeller Nut (X05)

3. Installing Propeller (X10)

- Fit ceramic bearing to the motor shaft.



Figure 39: Propeller Bearing Fitting

- Fit washers and bearing in the order shown in **Figure 40**.



Figure 40: Ceramic Bearing Fitting

- Insert the cylindrical pin through the upper hole of the motor shaft.



Figure 41: Cylindrical Pin (X10)

- Fit propeller and nylon washer.



Figure 42: Fitment of the Propeller (X10)

- Fit stainless steel washer, slotted nut and split pin.



Figure 43: Fitment of Propeller Nut (X10)

4. Controller Alignment

- Ensure the controller unit base is parallel to the motor.

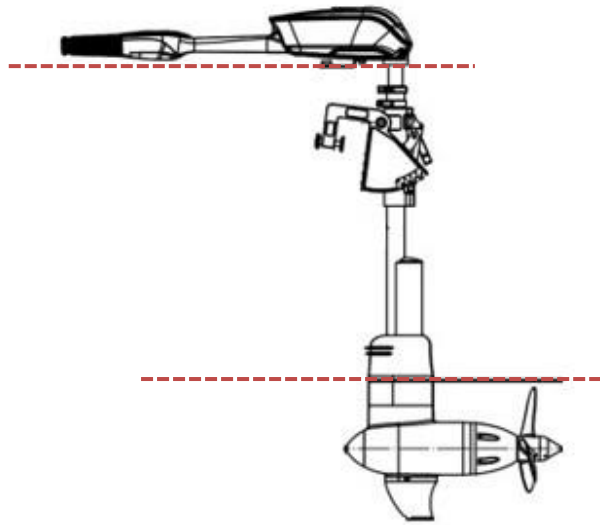


Figure 44: Alignment of the Controller Unit

SECTION 6 – Transportation and Storage

1. Transporting

- When the outboard motor is removed from the boat, lay it down horizontally or put the outboard motor back in the original box.

2. Storage

- Store the outboard motor in a well ventilated, dry storage area.
- The outboard motor should ideally be kept upright on a rack or trolley.

SECTION 7 – Wiring Diagrams

1. Wiring Diagram for Electric Propulsion Outboard

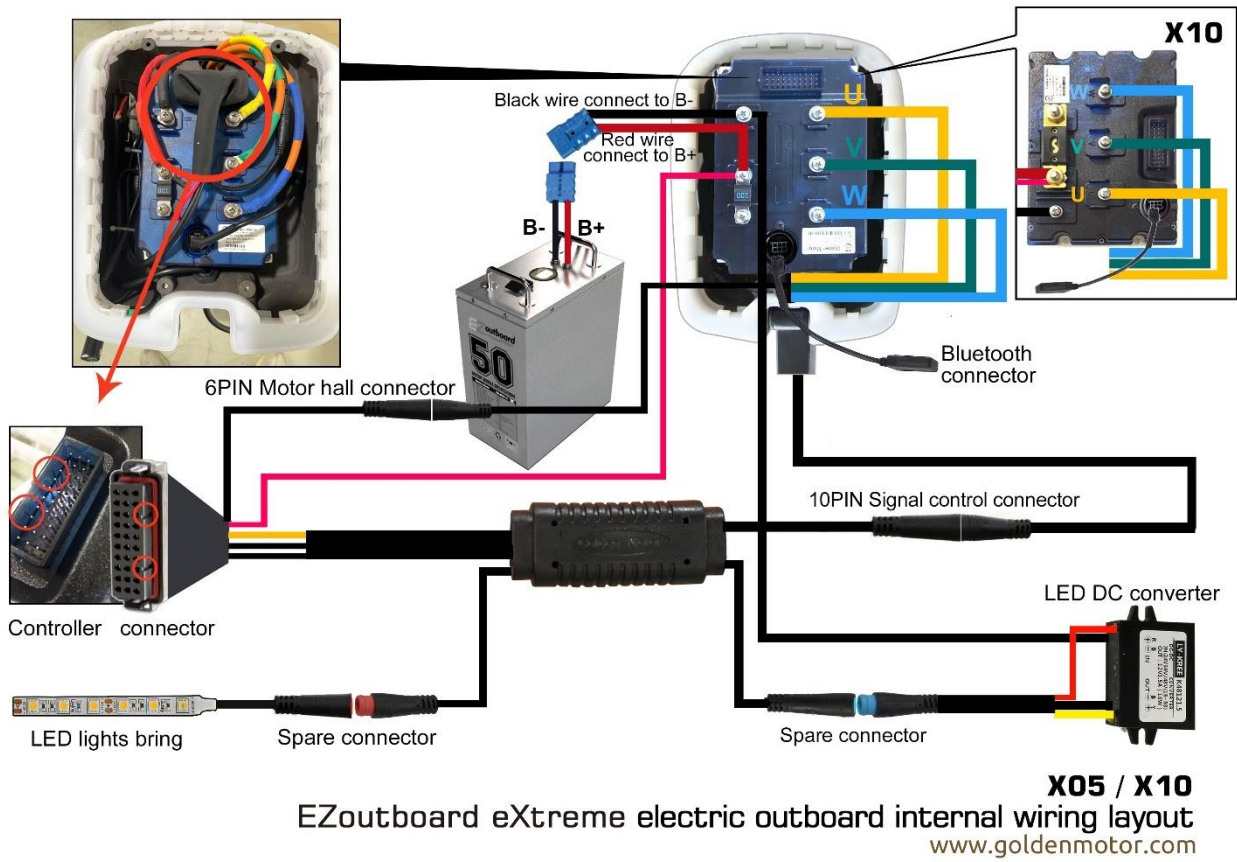


Figure 45: Outboard Wiring Diagram (X05/ X10)

SECTION 8 – Technical Data

1. Outboard Data

Model	X05	X10
Output (kW)	3	6.5
Approximate Equivalent Petrol Engine Power (hp)	5	10
Rated Voltage (Vdc)	48	48
Input Current (A)	65	138
Max Propeller Speed (r/min)	2000	2600
Propeller (in)	10 x 7	10 x 7
Thrust (lb)	130	185
Trim and Tilt System	Mechanical	Mechanical
Control System	Tiller/Remote	Tiller/Remote

2. Dry Weight of Outboard Data

Dry Weight of Electric Outboard	
Model	Dry Weight (kg)
X05	20
X10	24

3. Shipping Weight and Packaging Dimensions

Model	Total Shipping Weight (kg)	Dimensions (cm)
EZ-X05T	32	107 x 52 x 27
EZ-X05R	34.5	107 x 52 x 27
EZ-X10T	38	107 x 52 x 27
EZ-X10R	39	107 x 52 x 27

4. Outboard Dimensions

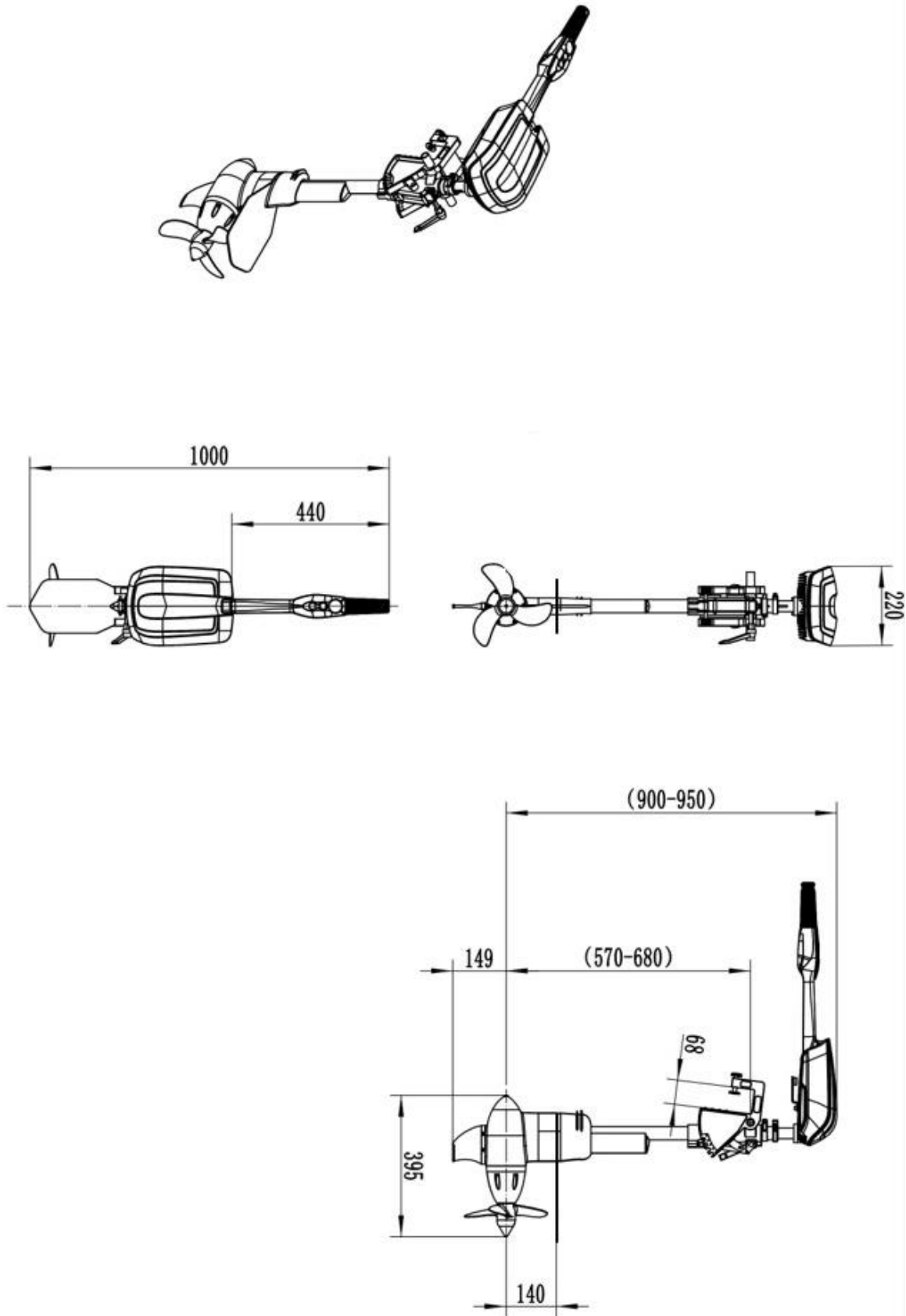


Figure 46: X05 Outboard Motor Dimensions

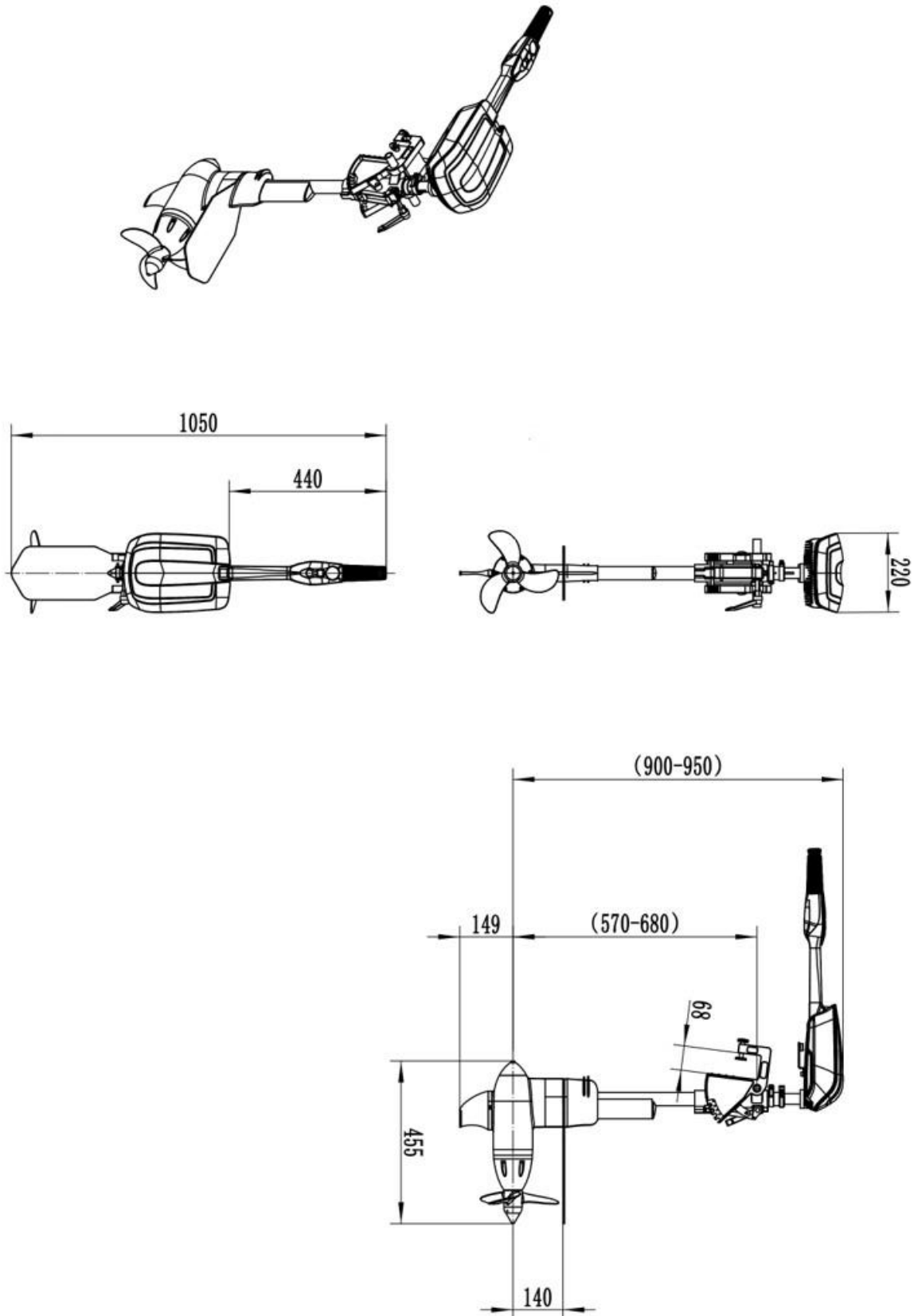














Figure 47: X10 Outboard Motor Dimensions

SECTION 9 – System Protection Characteristics

In the event of the operating system receiving a fault code, the controller will sound out one of the following error codes via a number of beeps.

System Protection Feature	Description	No. of Beeps
Over-voltage protection	Battery voltage is higher than default value.	1
Under-voltage protection	Battery voltage is lower than default value.	2
Motor over-current protection	Motor phase is short-circuiting or phase to B+ is short circuiting.	3
Stalling protection	The propeller is blocked by foreign matter.	4
HALL protection	HALL input is abnormal.	5
MOSFET (Transistor) protection	MOSFET self-checking is abnormal.	6
Phase winding disconnect protection	One of motor wires is disconnected.	7
Self-checking error protection	Self-checking is abnormal if internal system power is on.	10
Controller over-heat protection	Controller operation temperature is higher than the default value.	11
Throttle protection	Throttle input is abnormal.	12
Motor over-heat protection	Motor temperature is higher than the default value.	13
Throttle is not in the neutral position	Make sure the throttle is at "N".	14
Controller brake	The controller brake is applied	15
Signal power protection	The controller signal power is abnormal.	16

SECTION 10 – Spare Parts

Item	Picture	X05	X10
Rotor Assembly		GM18.001.037	GM18.001.038
Motor Controller		GM-VEC72220	GM-VEC72300
Controller Wiring Harness		GM-CA-201VEC	GM-CA-201VEC
Fuse		GM-FS0001	GM-FS0002
Bluetooth Adaptor		GM-BL0001	GM-BL0001
Laptop Connecting Lead		GM-PI-400VEC	GM-PI-400VEC
Propeller (in)		GM-X10P7 (10 x 7)	GM-X10P7 (10 x 7)
Anti-Ventilation / Cavitation Plate		GM-AX0501	GM-AX1001
Skeg		GM-SG0002	GM-SG0002
Transom Mounting Bracket		GM-MBL0001	GM-MBL0001
Steering Bush Set		GM20.007.312	GM20.007.312
Battery Master Switch		RDG2199938	RDG2199938
Anderson Type Connector		RDG206A48	RDG206A48
Anderson Type Connector (Charger)		RDG206A47	RDG206A47

Scalable Battery Hub (Multi battery connector with master on/off switch incorporated)		GM-BH4X	GM-BH4X
Power Button Cover		GM-BC0001	GM-BC0001
Safety Key		GM-SF0001	GM-SF0001
Tiller Throttle Set		GM-TL00L2	GM-TL00L2
Remote Throttle Set (Left Hand (Standard))		GM-TRC-010L	GM-TRC-010L
Remote Throttle Set (Right Hand)		GM-TRC-010R	GM-TRC-010R
Remote Throttle Cable (3m)		GM-RT0002	GM-RT0002
Inboard Shifter Mounting Brkt		RDG401A431	RDG401A431
Steering Linkage		GM-DL00L1	GM-DL00L1
Steering Tube Extensions		GM-DL00L3	GM-DL00L3
Remote Steer bracket		GM-DL00L4	GM-DL00L4
Cowl		GM20.007.501	GM20.007.501
Quicksilver 2-4-C Multipurpose Marine Lubricant		92-8M0121966	92-8M0121966
Throttle Potentiometer		GM-110E1305	GM-110E1305
DC-DC Voltage Converter		GM-DC12	GM-DC12

SECTION 11 – Security Products

Barrus offers a range of security products for the outboard.

1. STAZO Nutlock

- Part Number – **42.117.020**
- Thick-walled stainless-steel lock
- Includes a STAZO plus cylinder and security card
- Easy to install



Figure 48: STAZO Nutlock

2. STAZO Security Chain

- Part Numbers - **42.117.315** – 1.5m Chain
- **42.117.325** – 2.5m Chain
- Lasso security chain with square shackles
- Made of hardened steel
- Includes STAZO protective cover
- As set with STAZO ART lock



Figure 49: STAZO Security Chain

3. STAZO Bracket Nut

- Part Number – 42.117.361 – M8
- Stainless steel
- Easy installation



Figure 50: STAZO Bracket Nut

4. STAZO Outboard Lock

- Part Number – 42.117.002
- Solid stainless-steel lock
- Dimensions – 40 x 40 x 300mm



Figures 51 & 52: STAZO Outboard Lock

5. Talamex Outboard Motor Lock

- Part Number – **42.130.100**
- AISI 316 cylinder lock, anti-rattle
- Packed in blister
- Dimensions – 300 x 40 x 35mm



Figure 53: Talamex Outboard Motor Lock

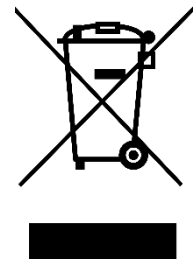
SECTION 12 – Afterlife Recycling

When it becomes necessary to dispose of your machine, you must take it to your local Civic Amenity Site or recycling centre. For further information please contact your Local Authority for disposal advice.

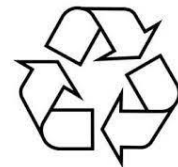
Waste Electrical Electronic Equipment (WEEE) recycling.

Products contain WEEE waste which should not be disposed of in your domestic waste. You must recycle WEEE in accordance with your local authority or recycling centre.

Battery recycling: Batteries should not be disposed of in your domestic waste. You must recycle batteries in accordance with your local authority or recycling centre.



Unwanted packaging materials should be sorted and taken to a recycling centre so they can be disposed of in a manner which is compatible with the environment.



Reduce, Reuse,
Recycle

For further information about disposal please contact your Local Authority. You can also get more advice and guidance about recycling at the following website <http://www.recycle-more.co.uk>.

SECTION 13 – Declarations

1. Declaration of Conformity for Recreational Craft Propulsion Engine with the requirements of Directive 2012/53/EU.

Name of Engine Manufacturer: **Golden Motor LTD**

Name of Authorised Representative: **E.P.Barrus LTD**

Address: **E.P.Barrus LTD, Launton Road, Bicester, Oxon, OX26 4UR, England**

Name of Notified Body for assessment: EMTEK (Shenzhen) Co., Ltd.

Address: Building 69, Majialong Industry Zone, Nanshan District, Shenzhen, Guangdong, China

Description of Engine(s) and Essential Requirements

Engine Type: Outboard Motor **Power Source:** Electric **Voltage:** 48 Volts

Identification of Engine(s) covered by this Declaration of Conformity

Barrus Engine Models	Factory Family Code
Shire EZ-X05T	EZ-X05T
Shire EZ-X05R	EZ-X05R
Shire EZ-X10T	EZ-X10T
Shire EZ-X10R	EZ-X10R

Essential Requirements	Standards	Other normative document/method	Technical file	Specify in more detail *=Mandatory standard
Engine Identification	<input type="checkbox"/>	<input checked="" type="checkbox"/> RCD (II)	<input checked="" type="checkbox"/>	2013/53 EU
Durability	<input type="checkbox"/>	<input type="checkbox"/>	<input checked="" type="checkbox"/>	2013/53 EU
Owner's Manual	<input checked="" type="checkbox"/>	<input type="checkbox"/>	<input type="checkbox"/>	ISO10240

Is in conformity with the standards listed below:

EN 61000-6-3 (2007) Electromagnetic compatibility (EMC) - Part 6-3: Generic standards - Emission standard for residential, commercial, and light-industrial environments

EN ISO 12100 (2010) Safety of machinery - General principles for design

EN ISO 60204 (2012) Safety of machinery - Electrical equipment of machines

BS EN ISO 8848-2017 - Small craft-Remote steering

BS EN ISO 16315:2016 - Small craft – Electric propulsion system

This declaration of conformity is issued under the sole responsibility of the manufacturer. I declare on behalf of the engine manufacturer that the engine(s) [is (are) in conformity with the type(s) for which above mentioned EC type-examination or type approval certificate(s) has (have) been issued and] will meet the requirements of Directive 2013/53/EU when installed in a recreational craft, in accordance with the engine manufacturer's supplied instructions and that this (these) engine(s) must not be put into service until the recreational craft which it is (they are) to be installed has been declared in conformity with the relevant provisions of the above mentioned Directives.



Tim Hart

Sales Director

Signed: Bicester, UK

Date: 06/09/2022

2. Declaration of Conformity for Recreational Craft Propulsion Engine with the requirements of the Recreational Craft Regulations 2017 (UKCA Marking)

Name of Engine Manufacturer: **Golden Motor LTD**

Name of Authorised Representative: **E.P.Barrus LTD**

Address: **E.P.Barrus LTD, Launton Road, Bicester, Oxon, OX26 4UR, England**

Name of Notified Body for Assessment: EMTEK (Shenzhen) Co., Ltd.

Address: Building 69, Majialong Industry Zone, Nanshan District, Shenzhen, Guangdong, China

Description of Engine(s) and Essential Requirements

Engine Type: **Outboard Motor** Power Source: **Electric** Voltage (DC): **48 Volts**

Identification of Engine(s) covered by this Declaration of Conformity.

Barrus Engine Models	Factory Family Code	Output
Shire EZ-X05T	EZ-X05T	3kW
Shire EZ-X05R	EZ-X05R	3kW
Shire EZ-X10T	EZ-X10T	6.5kW
Shire EZ-X10R	EZ-X10R	6.5kW

Essential Requirements	Standards	Other normative document/method	Technical file	Specify in more detail *=Mandatory standard
Engine Identification	<input type="checkbox"/>	<input checked="" type="checkbox"/> RCR	<input checked="" type="checkbox"/>	
Durability	<input type="checkbox"/>	<input type="checkbox"/>	<input checked="" type="checkbox"/>	
Owner's Manual	<input checked="" type="checkbox"/>	<input type="checkbox"/>	<input type="checkbox"/>	ISO10240

Is in conformity with the standards listed below:

ISO 16315:2016 - Small craft – Electric propulsion system

BS 61000-6-3 (2007) Electromagnetic compatibility (EMC) - Part 6-3: Generic standards -

ISO 12100 (2010) Safety of machinery - General principles for design

ISO 60204 (2012) Safety of machinery - Electrical equipment of machines

ISO 8848-2017 - Small craft-Remote steering

This declaration of conformity is issued under the sole responsibility of the manufacturer. I declare on behalf of the engine manufacturer that the engine(s) [is (are) in conformity with the type(s) for which above mentioned EC type-examination or type approval certificate(s) has (have) been issued and] will meet the requirements of the Recreational Craft Regulations 2017 when installed in a recreational craft, in accordance with the engine manufacturer's supplied instructions and that this (these) engine(s) must not be put into service until the recreational craft which it is (they are) to be installed has been declared in conformity with the relevant provisions of the above mentioned Directives.



Tim Hart

Sales Director

Signed: Bicester, UK

Date: 06/09/2022

3. LiFEP04 Battery TUV Safety Data Sheet



Technical Report No. 64.168.20.60023.01
Rev.00
Dated 2020-07-10

Safety Data Sheet

Regulation (EU) 2015/830 (REACH Annex II)

Applicant: GOLDEN MOTOR TECHNOLOGY CO., LTD

Address: Room No. 1401-1405, the 5th building, No. 18-50 Changwu Zhong Road, Wujin, Changzhou 213164

Attn.: Mr. Yao Guohua

Sample Description: LiFePO4 BATTERY

Model No.: EB-4850

TÜV SÜD Certification and Testing (China) Co., Ltd. Guangzhou Branch
TÜV SÜD Group

Prepared by:

Autumn Lin

Autumn Lin
Project Handler



Reviewed by:

Kevin Zhang

Kevin Zhang
Designated Reviewer

Any use for advertising purposes must be granted in writing. This technical report may only be quoted in full. This report is the result of a single examination of the object in question and is not generally applicable evaluation of the quality of other products in regular production. For further details, please see testing and certification regulation, chapter A-3.4.

TÜV SÜD Certification and Testing (China) Co., Ltd. Guangzhou Branch
TÜV SÜD Group
5F, Communication Building, 163 Pingyun Rd, Huangpu West Ave.
Guangzhou 510656, P.R. China

Tel.: (86) 20 38320668
Fax: (86) 20 38320478

Page: 1 of 23

Technical Report No. 64.168.20.60023.01
Rev.00
Dated 2020-07-10

SECTION 1: Identification of the substance/mixture and of the company/undertaking

1.1. Product identifier

Product form : Article
Trade name : LiFePO4 BATTERY
Synonyms : EB-4850

1.2. Relevant identified uses of the substance or mixture and uses advised against

1.2.1. Relevant identified uses

Use of the substance/mixture : Not applicable

1.2.2. Uses advised against

Restrictions on use : No information available

1.3. Details of the supplier of the safety data sheet

GOLDEN MOTOR TECHNOLOGY CO., LTD

Room No. 1401-1405, the 5th building, No. 18-50 Changwu Zhong Road,
Wujin, Changzhou 213164

T +86-519-81004118

F +86-519-81004118

Email sales@goldenmotor.com

1.4. Emergency telephone number

Emergency number : +86-519-81004118

SECTION 2: Hazards identification

2.1. Classification of the substance or mixture

Classification according to Regulation (EC) No. 1272/2008 [CLP]

Not classified

Adverse physicochemical, human health and environmental effects

To our knowledge, this product does not present any particular risk, provided it is handled in accordance with good occupational hygiene and safety practice.

2.2. Label elements

Labelling according to Regulation (EC) No. 1272/2008 [CLP]

No labelling applicable

Technical Report No. 64.168.20.60023.01
Rev.00
Dated 2020-07-10

2.3. Other hazards

No additional information available

SECTION 3: Composition/information on ingredients

3.1. Substances

Not applicable

3.2. Article

Name	Product identifier	%	Classification according to Regulation (EC) No. 1272/2008 [CLP]
Phosphoric acid, iron(2+) lithium salt (1:1:1)	(CAS-No.) 15365-14-7 (EC-No.) 476-700-9;604-917-2	34.32	Not classified
Electrolyte	-	24.32	NA
Graphite	(CAS-No.) 7782-42-5 (EC-No.) 231-955-3	15.31	Not classified
Copper	(CAS-No.) 7440-50-8 (EC-No.) 231-159-6	11.48	Not classified
Aluminum	(CAS-No.) 7429-90-5 (EC-No.) 231-072-3 (EC Index-No.) 013-002-00-1	5.61	Flam. Sol. 1, H228 Water-react. 2, H261
Spuer-p	-	0.8	NA

Full text of H-statements: see section 16

SECTION 4: First aid measures

4.1. Description of first aid measures

First-aid measures general	: If symptoms persist call a doctor.
First-aid measures after inhalation	: Remove person to fresh air and keep comfortable for breathing. If breathing stops, give artificial respiration. Seek medical attention immediately.
First-aid measures after skin contact	: Remove contaminated clothing and shoes. Wash skin with mild soap and water. Wash clothing before re-using. If skin irritation occurs : Get medical advice/attention.
First-aid measures after eye contact	: Immediately flush eyes thoroughly with water for at least 15 minutes. If necessary seek medical advice.
First-aid measures after ingestion	: Do NOT induce vomiting. Call a poison center or a doctor if you feel unwell.

Technical Report No. 64.168.20.60023.01
Rev.00
Dated 2020-07-10

4.2. Most important symptoms and effects, both acute and delayed

Symptoms/effects : No information available.

4.3. Indication of any immediate medical attention and special treatment needed

Treat symptomatically.

SECTION 5: Firefighting measures

5.1. Extinguishing media

Suitable extinguishing media : Water spray. Dry powder. Foam. Carbon dioxide (CO₂).

Unsuitable extinguishing media : No information available.

5.2. Special hazards arising from the substance or mixture

Hazardous decomposition products in case of fire : Toxic fumes may be released.

Specific hazards arising from the substance or mixture : Battery may burst and release hazardous decomposition products when exposed to a fire situation. Lithium ion batteries contain flammable electrolyte that may vent, ignite and produce sparks when subjected to high temperature (>150 °C (302 °F)).when damaged or abused (e.g.mechanical damage or electrical overcharging);may burn rapidly with flare-burnig effect; may ignite other batteries in cloths proximity.

5.3. Advice for firefighters

Protection during firefighting : Do not attempt to take action without suitable protective equipment. Self-contained breathing apparatus. Complete protective clothing.

SECTION 6: Accidental release measures

6.1. Personal precautions, protective equipment and emergency procedures

6.1.1. For non-emergency personnel

Emergency procedures : Ventilate spillage area. Wear protective gloves. Keep unprotected persons away.Remove ignition sources,evacuate area. Sweep up using a method that does not generate dust. Collect as much of the spilled material as possible, placed the spilled material into a suitable disposal container.keep spilled material out of sewers,ditches and bodies of water.

6.1.2. For emergency responders

Protective equipment : Do not attempt to take action without suitable protective equipment. For further information refer to section 8: "Exposure controls/personal protection".

6.2. Environmental precautions

Avoid release to the environment without proper governmental permits.



Technical Report No. 64.168.20.60023.01
Rev.00
Dated 2020-07-10

6.3. Methods and material for containment and cleaning up

Methods for cleaning up : Mechanically recover the product.

6.4. Reference to other sections

For further information refer to section 13.

SECTION 7: Handling and storage

7.1. Precautions for safe handling

Precautions for safe handling : Ensure good ventilation of the work station. Wear personal protective equipment. Ground/bond container and equipment.

Hygiene measures : Do not eat, drink or smoke when using this product. Always wash hands after handling the product.

Information about fire and explosion protection : Batteries may explode or cause burns, if disassembled, crushed or exposed to fire or high temperatures. Do not short or install with incorrect polarity.

7.2. Conditions for safe storage, including any incompatibilities

Storage conditions : Store in a well-ventilated place. Keep cool. Keep away from heat and direct sunlight.

7.3. Specific end use(s)

No information available.

SECTION 8: Exposure controls/personal protection

8.1. Control parameters

Aluminum (7429-90-5)	
Austria - Occupational Exposure Limits	
MAK (mg/m ³)	10 mg/m ³ (inhalable fraction)
MAK Short time value (mg/m ³)	20 mg/m ³ (inhalable fraction)
Belgium - Occupational Exposure Limits	
Limit value (mg/m ³)	1 mg/m ³
Bulgaria - Occupational Exposure Limits	
OEL TWA (mg/m ³)	10 mg/m ³ (metal dust) 1.5 mg/m ³ (respirable fraction)

Technical Report No. 64.168.20.60023.01
Rev.00
Dated 2020-07-10

Aluminum (7429-90-5)	
Croatia - Occupational Exposure Limits	
GVI (granična vrijednost izloženosti) (mg/m ³)	10 mg/m ³ (total dust) 4 mg/m ³ (respirable dust)
Croatia - Biological limit values	
Croatia - BLV	200 mg/l Parameter: Aluminum - Medium: urine - Sampling time: at the end of the work shift
Czech Republic - Occupational Exposure Limits	
Expoziční limity (PEL) (mg/m ³)	10 mg/m ³ (dust)
Denmark - Occupational Exposure Limits	
Grænseværdi (8 timer) (mg/m ³)	5 mg/m ³ (dust, fume and powder, total) 2 mg/m ³ (dust and powder, respirable)
Estonia - Occupational Exposure Limits	
OEL TWA (mg/m ³)	10 mg/m ³ (total dust) 4 mg/m ³ (respirable dust)
France - Occupational Exposure Limits	
VME (mg/m ³)	10 mg/m ³ (metal) 5 mg/m ³ (dust)
Greece - Occupational Exposure Limits	
OEL TWA (mg/m ³)	10 mg/m ³ (inhalable fraction) 5 mg/m ³ (respirable fraction)
Hungary - Occupational Exposure Limits	
AK-érték	6 mg/m ³ (respirable dust)
Ireland - Occupational Exposure Limits	
OEL (8 hours ref) (mg/m ³)	1 mg/m ³ (respirable fraction)
OEL (15 min ref) (mg/m ³)	3 mg/m ³ (calculated-respirable dust)
Latvia - Occupational Exposure Limits	
OEL TWA (mg/m ³)	2 mg/m ³

Technical Report No. 64.168.20.60023.01
Rev.00
Dated 2020-07-10

Aluminum (7429-90-5)	
Lithuania - Occupational Exposure Limits	
IPRV (mg/m ³)	5 mg/m ³ (inhalable fraction) 2 mg/m ³ (respirable fraction) 1 mg/m ³
Poland - Occupational Exposure Limits	
NDS (mg/m ³)	2.5 mg/m ³ (non-stabilized-inhalable fraction) 1.2 mg/m ³ (non-stabilized-respirable fraction)
Portugal - Occupational Exposure Limits	
OEL TWA (mg/m ³)	10 mg/m ³ (metal dust)
Romania - Occupational Exposure Limits	
OEL TWA (mg/m ³)	3 mg/m ³ (dust) 1 mg/m ³ (fume)
OEL STEL (mg/m ³)	10 mg/m ³ (dust) 3 mg/m ³ (fume)
Romania - Biological limit values	
Romania - BLV	200 µg/l Parameter: Aluminum - Medium: urine - Sampling time: end of shift
Slovakia - Biological limit values	
Slovakia - BLV	60 µg/g creatinine Parameter: Aluminum - Medium: urine - Sampling time: not critical
Spain - Occupational Exposure Limits	
VLA-ED (mg/m ³)	10 mg/m ³ (dust)
Sweden - Occupational Exposure Limits	
nivågränsvärde (NVG) (mg/m ³)	5 mg/m ³ (total dust) 2 mg/m ³ (respirable dust)
United Kingdom - Occupational Exposure Limits	
WEL TWA (mg/m ³)	10 mg/m ³ (inhalable dust) 4 mg/m ³ (respirable dust)
WEL STEL (mg/m ³)	30 mg/m ³ (calculated-inhalable dust) 12 mg/m ³ (calculated-respirable dust)

Technical Report No. 64.168.20.60023.01

Rev.00

Dated 2020-07-10

Aluminum (7429-90-5)	
Norway - Occupational Exposure Limits	
Grenseverdier (AN) (mg/m ³)	5 mg/m ³ (pyrotechnical-powder)
Grenseverdier (Korttidsverdi) (mg/m ³)	10 mg/m ³ (pyrotechnical-powder)
Switzerland - Occupational Exposure Limits	
MAK (mg/m ³)	3 mg/m ³ (respirable dust)
Switzerland - Biological limit values	
Switzerland - BLV	60 µg/g creatinine Parameter: Aluminum - Medium: urine - Sampling time: no restrictions
USA - ACGIH - Occupational Exposure Limits	
ACGIH TWA (mg/m ³)	1 mg/m ³ (respirable particulate matter)
ACGIH chemical category	Not Classifiable as a Human Carcinogen
Copper (7440-50-8)	
Austria - Occupational Exposure Limits	
MAK (mg/m ³)	1 mg/m ³ (inhalable fraction) 0.1 mg/m ³ (respirable fraction, smoke)
MAK Short time value (mg/m ³)	4 mg/m ³ (inhalable fraction) 0.4 mg/m ³ (respirable fraction, smoke)
Belgium - Occupational Exposure Limits	
Limit value (mg/m ³)	0.2 mg/m ³ (fume) 1 mg/m ³ (dust and mist)
Bulgaria - Occupational Exposure Limits	
OEL TWA (mg/m ³)	0.1 mg/m ³ (metal vapor)
Croatia - Occupational Exposure Limits	
GVI (granična vrijednost izloženosti) (mg/m ³)	0.2 mg/m ³ (fume) 1 mg/m ³ (dust)

Technical Report No. 64.168.20.60023.01
Rev.00
Dated 2020-07-10

Copper (7440-50-8)	
KGVI (kratkotrajna granična vrijednost izloženosti) (mg/m ³)	2 mg/m ³ (fume and dust)
Czech Republic - Occupational Exposure Limits	
Expoziční limity (PEL) (mg/m ³)	1 mg/m ³ (dust) 0.1 mg/m ³ (fume)
Denmark - Occupational Exposure Limits	
Grænsevædi (8 timer) (mg/m ³)	1 mg/m ³ (dust and powder) 0.1 mg/m ³ (fume)
Estonia - Occupational Exposure Limits	
OEL TWA (mg/m ³)	1 mg/m ³ (total dust) 0.2 mg/m ³ (respirable dust)
Finland - Occupational Exposure Limits	
HTP-arvo (8h) (mg/m ³)	0.02 mg/m ³ (respirable dust)
France - Occupational Exposure Limits	
VME (mg/m ³)	0.2 mg/m ³ (fume) 1 mg/m ³ (dust)
VLE (mg/m ³)	2 mg/m ³ (dust)
Greece - Occupational Exposure Limits	
OEL TWA (mg/m ³)	0.2 mg/m ³ (fume) 1 mg/m ³ (dust)
OEL STEL (mg/m ³)	2 mg/m ³ (dust)
Hungary - Occupational Exposure Limits	
AK-érték	1 mg/m ³ 0.1 mg/m ³ (fume)
CK-érték	4 mg/m ³ 0.4 mg/m ³ (fume)
Ireland - Occupational Exposure Limits	
OEL (8 hours ref) (mg/m ³)	0.2 mg/m ³ (fume) 1 mg/m ³ (dusts and mists)

Technical Report No. 64.168.20.60023.01
Rev.00
Dated 2020-07-10

Copper (7440-50-8)	
OEL (15 min ref) (mg/m ³)	2 mg/m ³ (dusts and mists) 0.6 mg/m ³ (calculated-fume)
Latvia - Occupational Exposure Limits	
OEL TWA (mg/m ³)	0.5 mg/m ³
Lithuania - Occupational Exposure Limits	
IPRV (mg/m ³)	1 mg/m ³ (inhalable fraction) 0.2 mg/m ³ (respirable fraction)
Netherlands - Occupational Exposure Limits	
Grenswaarde TGG 8H (mg/m ³)	0.1 mg/m ³ (inhalable fraction)
Poland - Occupational Exposure Limits	
NDS (mg/m ³)	0.2 mg/m ³
Portugal - Occupational Exposure Limits	
OEL TWA (mg/m ³)	0.2 mg/m ³ (fume) 1 mg/m ³ (dust and mist)
Romania - Occupational Exposure Limits	
OEL TWA (mg/m ³)	0.5 mg/m ³ (powder)
OEL STEL (mg/m ³)	0.2 mg/m ³ (fume) 1.5 mg/m ³ (dust)
Slovakia - Occupational Exposure Limits	
NPHV (priemerná) (mg/m ³)	1 mg/m ³ (inhalable fraction) 0.2 mg/m ³ (respirable fraction)
Slovenia - Occupational Exposure Limits	
OEL TWA (mg/m ³)	1 mg/m ³ (inhalable fraction) 0.1 mg/m ³ (respirable fraction, fume)
OEL STEL (mg/m ³)	4 mg/m ³ (inhalable fraction) 0.4 mg/m ³ (respirable fraction, fume)

Technical Report No. 64.168.20.60023.01
Rev.00
Dated 2020-07-10

Copper (7440-50-8)	
Spain - Occupational Exposure Limits	
VLA-ED (mg/m ³)	0.2 mg/m ³ (fume) 1 mg/m ³ (dust and mist)
Sweden - Occupational Exposure Limits	
nivågränsvärde (NVG) (mg/m ³)	0.01 mg/m ³ (respirable dust)
United Kingdom - Occupational Exposure Limits	
WEL TWA (mg/m ³)	1 mg/m ³ (dust and mists) 0.2 mg/m ³ (fume)
WEL STEL (mg/m ³)	0.6 mg/m ³ (calculated-fume) 2 mg/m ³ (dust and mist)
Norway - Occupational Exposure Limits	
Grenseverdier (AN) (mg/m ³)	0.1 mg/m ³ (fume) 1 mg/m ³ (dust)
Grenseverdier (Korttidsverdi) (mg/m ³)	0.3 mg/m ³ (value calculated-fume) 2 mg/m ³ (value calculated-dust)
Switzerland - Occupational Exposure Limits	
MAK (mg/m ³)	0.1 mg/m ³ (inhalable dust)
KZGW (mg/m ³)	0.2 mg/m ³ (inhalable dust)
USA - ACGIH - Occupational Exposure Limits	
ACGIH TWA (mg/m ³)	0.2 mg/m ³ (fume)

Graphite (7782-42-5)	
Austria - Occupational Exposure Limits	
MAK (mg/m ³)	5 mg/m ³ (alveolar dust with <1% Quartz, respirable fraction)
MAK Short time value (mg/m ³)	10 mg/m ³ (alveolar dust with <1% Quartz, respirable fraction)
Belgium - Occupational Exposure Limits	
Limit value (mg/m ³)	2 mg/m ³ (except fibers-alveolar fraction)

Technical Report No. 64.168.20.60023.01
Rev.00
Dated 2020-07-10

Graphite (7782-42-5)	
Bulgaria - Occupational Exposure Limits	
OEL TWA (mg/m ³)	5 mg/m ³ (inhalable fraction)
Croatia - Occupational Exposure Limits	
GVI (granična vrijednost izloženosti) (mg/m ³)	4 mg/m ³ (respirable dust) 10 mg/m ³ (total dust)
Czech Republic - Occupational Exposure Limits	
Expoziční limity (PEL) (mg/m ³)	2 mg/m ³ (dust)
Denmark - Occupational Exposure Limits	
Grænseværdi (8 timer) (mg/m ³)	2.5 mg/m ³ (natural-respirable)
Estonia - Occupational Exposure Limits	
OEL TWA (mg/m ³)	5 mg/m ³ (total dust)
Finland - Occupational Exposure Limits	
HTP-arvo (8h) (mg/m ³)	2 mg/m ³
France - Occupational Exposure Limits	
VME (mg/m ³)	2 mg/m ³ (alveolar fraction)
Greece - Occupational Exposure Limits	
OEL TWA (mg/m ³)	10 mg/m ³ (inhalable fraction) 5 mg/m ³ (respirable fraction)
Ireland - Occupational Exposure Limits	
OEL (8 hours ref) (mg/m ³)	2 mg/m ³ (all forms except fibres; respirable fraction)
OEL (15 min ref) (mg/m ³)	6 mg/m ³ (calculated-all forms except fibres; respirable fraction)
Latvia - Occupational Exposure Limits	
OEL TWA (mg/m ³)	2 mg/m ³
Lithuania - Occupational Exposure Limits	
IPRV (mg/m ³)	5 mg/m ³ (dust)

Technical Report No. 64.168.20.60023.01
Rev.00
Dated 2020-07-10

Graphite (7782-42-5)	
Poland - Occupational Exposure Limits	
NDS (mg/m ³)	4 mg/m ³ (natural-inhalable fraction) 1 mg/m ³ (natural-respirable fraction)
Portugal - Occupational Exposure Limits	
OEL TWA (mg/m ³)	2 mg/m ³ (all forms except Graphite fibers-respirable fraction)
Romania - Occupational Exposure Limits	
OEL TWA (mg/m ³)	2 mg/m ³ (Quartz <=5%-dust, respirable fraction)
Spain - Occupational Exposure Limits	
VLA-ED (mg/m ³)	2 mg/m ³ (see UNE EN 481:1995 on workplace atmospheres-dust, respirable fraction)
United Kingdom - Occupational Exposure Limits	
WEL TWA (mg/m ³)	10 mg/m ³ (inhalable dust) 4 mg/m ³ (respirable dust)
WEL STEL (mg/m ³)	30 mg/m ³ (calculated-inhalable dust) 12 mg/m ³ (calculated-respirable dust)
Norway - Occupational Exposure Limits	
Grenseverdier (AN) (mg/m ³)	5 mg/m ³ (natural-total dust) 2 mg/m ³ (natural-respirable dust) 10 mg/m ³ (synthetic-total dust) 4 mg/m ³ (synthetic-respirable dust)
Grenseverdier (Korttidsverdi) (mg/m ³)	10 mg/m ³ (natural-total dust) 4 mg/m ³ (natural-respirable dust) 15 mg/m ³ (synthetic-total dust) 8 mg/m ³ (synthetic-respirable dust)
Switzerland - Occupational Exposure Limits	
MAK (mg/m ³)	2.5 mg/m ³ (natural-respirable dust) 5 mg/m ³ (natural-inhalable dust)
USA - ACGIH - Occupational Exposure Limits	
ACGIH TWA (mg/m ³)	2 mg/m ³ (all forms except graphite fibers-respirable particulate matter)



Technical Report No. 64.168.20.60023.01
Rev.00
Dated 2020-07-10

8.2. Exposure controls

Appropriate engineering controls:

Ensure good ventilation of the work station. Keep away from food, drink and animal feedingstuffs. Remove immediately contaminated clothing.

Hand protection:
Protective gloves

Eye protection:
Safety glasses

Skin and body protection:
Wear suitable protective clothing

Respiratory protection:
In case of insufficient ventilation, wear suitable respiratory equipment. Wear appropriate mask

Environmental exposure controls:

Avoid release to the environment.

SECTION 9: Physical and chemical properties

9.1. Information on basic physical and chemical properties

Physical state	: Solid, prismatic
Colour	: Silver
Odour	: No data available
Odour threshold	: No data available
pH	: No data available
Relative evaporation rate (butylacetate=1)	: No data available
Melting point	: No data available

Technical Report No. 64.168.20.60023.01
Rev.00
Dated 2020-07-10

Freezing point	: Not applicable
Boiling point	: No data available
Flash point	: Not applicable
Auto-ignition temperature	: Not applicable
Decomposition temperature	: No data available
Flammability (solid, gas)	: Non flammable.
Vapour pressure	: No data available
Relative vapour density at 20 °C	: No data available
Relative density	: No data available
Solubility	: No data available
Partition coefficient n-octanol/water (Log Pow)	: No data available
Viscosity, kinematic	: No data available
Viscosity, dynamic	: No data available
Explosive properties	: Non explosive.
Oxidising properties	: No data available
Explosive limits	: Not applicable
Other information:	
Voltage	: 3.2V
Electric capacity	: 10Ah
Electric energy	: 32Wh

9.2. Other information

No additional information available

SECTION 10: Stability and reactivity

10.1. Reactivity

The product is non-reactive under normal conditions of use, storage and transport.

10.2. Chemical stability

Stable under normal conditions.

10.3. Possibility of hazardous reactions

No dangerous reactions known under normal conditions of use.

10.4. Conditions to avoid

Heat, flames and sparks. Incompatible materials.



Technical Report No. 64.168.20.60023.01
Rev.00
Dated 2020-07-10

10.5. Incompatible materials

Oxidizing agent. acid. Bases.

10.6. Hazardous decomposition products

Carbon monoxide. Carbon dioxide (CO₂). Lithium oxide fumes.

SECTION 11: Toxicological information

11.1. Information on toxicological effects

Acute toxicity (oral) : Not classified
 Acute toxicity (dermal) : Not classified
 Acute toxicity (inhalation) : Not classified

Skin corrosion/irritation : Not classified

pH: No data available

Serious eye damage/irritation : Not classified

pH: No data available

Respiratory or skin sensitisation : Not classified

Germ cell mutagenicity : Not classified

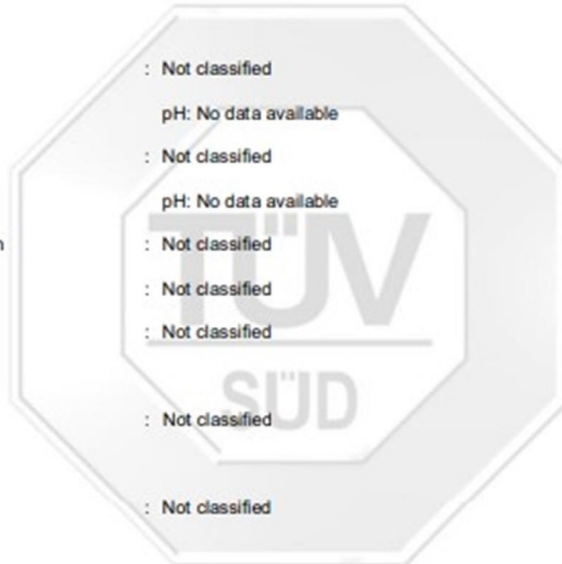
Carcinogenicity : Not classified

Reproductive toxicity : Not classified

STOT-single exposure : Not classified

STOT-repeated exposure : Not classified

Aspiration hazard : Not classified



Technical Report No. 64.168.20.60023.01
Rev.00
Dated 2020-07-10

SECTION 12: Ecological information

12.1. Toxicity

Ecology - general : The product is not considered harmful to aquatic organisms nor to cause long-term adverse effects in the environment.

Hazardous to the aquatic environment, short-term (acute) : Not classified

Hazardous to the aquatic environment, long-term (chronic) : Not classified

Copper (7440-50-8)

LC50 fish 1	0.0068 – 0.0156 mg/l (Exposure time: 96 h - Species: Pimephales promelas)
LC50 fish 2	< 0.3 mg/l (Exposure time: 96 h - Species: Pimephales promelas [static])
EC50 Daphnia 1	0.03 mg/l (Exposure time: 48 h - Species: Daphnia magna [Static])
EC50 72h algae (1)	0.0426 – 0.0535 mg/l (Species: Pseudokirchneriella subcapitata [static])
EC50 96h algae (1)	0.031 – 0.054 mg/l (Species: Pseudokirchneriella subcapitata [static])

12.2. Persistence and degradability

No additional information available

12.3. Bioaccumulative potential

No additional information available

12.4. Mobility in soil

No additional information available

12.5. Results of PBT and vPvB assessment

No additional information available

12.6. Other adverse effects

No additional information available

SECTION 13: Disposal considerations

13.1. Waste treatment methods

Waste treatment methods : Dispose of contents/container in accordance with licensed collector's sorting instructions.

Technical Report No. 64.168.20.60023.01
Rev.00
Dated 2020-07-10

SECTION 14: Transport information

In accordance with ADR / RID / IMDG / IATA / ADN

ADR	IMDG	IATA	ADN	RID
14.1. UN number				
UN 3480	UN 3480	UN 3480	UN 3480	UN 3480
14.2. UN proper shipping name				
LITHIUM ION BATTERIES	LITHIUM ION BATTERIES	Lithium ion batteries	LITHIUM ION BATTERIES	LITHIUM ION BATTERIES
Transport document description				
UN 3480 LITHIUM ION BATTERIES, 9A, (E)	UN 3480 LITHIUM ION BATTERIES, 9	UN 3480 Lithium ion batteries, 9A	UN 3480 LITHIUM ION BATTERIES, 9A	UN 3480 LITHIUM ION BATTERIES, 9A
14.3. Transport hazard class(es)				
9A	9A	9A	9A	9A
14.4. Packing group				
Not applicable	Not applicable	Not applicable	Not applicable	Not applicable
14.5. Environmental hazards				
Dangerous for the environment : No	Dangerous for the environment : No Marine pollutant : No	Dangerous for the environment : No	Dangerous for the environment : No	Dangerous for the environment : No
No supplementary information available				



Technical Report No. 64.168.20.60023.01
Rev.00
Dated 2020-07-10

14.6. Special precautions for user

Overland transport

Classification code (ADR) : M4
 Special provisions (ADR) : 188, 230, 310, 348, 376, 377, 387, 636
 Limited quantities (ADR) : 0
 Excepted quantities (ADR) : E0
 Packing instructions (ADR) : P903, P908, P909, P910, LP903, LP904
 Transport category (ADR) : 2
 Tunnel restriction code (ADR) : E
 EAC code : 4W

Transport by sea

Special provisions (IMDG) : 188, 230, 310, 348, 376, 377, 384
 Packing instructions (IMDG) : P903, P908, P909, P910, LP903, LP904
 EmS-No. (Fire) : F-A
 EmS-No. (Spillage) : S-I
 Stowage category (IMDG) : A
 Stowage and handling (IMDG) : SW19
 Properties and observations (IMDG) : Electrical batteries containing lithium ion encased in a rigid metallic body. Lithium ion batteries may also be shipped in, or packed with, equipment. Electrical lithium batteries may cause fire due to an explosive rupture of the body caused by improper construction or reaction with contaminants.

Air transport

PCA Excepted quantities (IATA) : E0
 PCA Limited quantities (IATA) : Forbidden
 PCA limited quantity max net quantity (IATA) : Forbidden
 PCA packing instructions (IATA) : Forbidden
 PCA max net quantity (IATA) : Forbidden
 CAO packing instructions (IATA) : See 965
 CAO max net quantity (IATA) : See 965
 Special provisions (IATA) : A88, A99, A154, A164, A183, A201, A206, A213, A331, A334, A802
 ERG code (IATA) : 12FZ

Inland waterway transport

Classification code (ADN) : M4



Technical Report No. 64.168.20.60023.01
Rev.00
Dated 2020-07-10

Special provisions (ADN) : 188, 230, 310, 348, 376, 377, 387, 636
 Limited quantities (ADN) : 0
 Excepted quantities (ADN) : E0
 Equipment required (ADN) : PP
 Number of blue cones/lights (ADN) : 0

Rail transport

Classification code (RID) : M4
 Special provisions (RID) : 188, 230, 310, 348, _376, 377, 387, 636
 Limited quantities (RID) : 0
 Excepted quantities (RID) : E0
 Packing instructions (RID) : P903, 908, 909, P910, P911, LP903, LP904, LP905, LP906
 Transport category (RID) : 2
 Colis express (express parcels) (RID) : CE2
 Hazard identification number (RID) : 90

14.7. Transport in bulk according to Annex II of Marpol and the IBC Code

Not applicable

SECTION 15: Regulatory information

15.1. Safety, health and environmental regulations/legislation specific for the substance or mixture

15.1.1. EU-Regulations

Contains no substance on the REACH candidate list

Contains no substance subject to Regulation (EU) No 649/2012 of the European Parliament and of the Council of 4 July 2012 concerning the export and import of hazardous chemicals.

Contains no substance subject to Regulation (EU) No 2019/1021 of the European Parliament and of the Council of 20 June 2019 on persistent organic pollutants

15.1.2. National regulations

Germany

Employment restrictions : Observe restrictions according Act on the Protection of Working Mothers (MuSchG)
 Observe restrictions according Act on the Protection of Young People in Employment (JArbSchG)

Water hazard class (WGK) : WGK nwg, Non-hazardous to water (Classification according to AwSV, Annex 1)

Hazardous Incident Ordinance (12. BImSchV) : Is not subject of the Hazardous Incident Ordinance (12. BImSchV)

Technical Report No. 64.168.20.60023.01
Rev.00
Dated 2020-07-10

Netherlands

SZW-lijst van kankerverwekkende stoffen : None of the components are listed
 SZW-lijst van mutagene stoffen : None of the components are listed
 NIET-limitatieve lijst van voor de voortplanting : None of the components are listed
 giftige stoffen – Borstvoeding
 NIET-limitatieve lijst van voor de voortplanting : None of the components are listed
 giftige stoffen – Vruchtbaarheid
 NIET-limitatieve lijst van voor de voortplanting : None of the components are listed
 giftige stoffen – Ontwikkeling

15.2. Chemical safety assessment

No chemical safety assessment has been carried out

SECTION 16: Other information

Abbreviations and acronyms:	
ADN	European Agreement concerning the International Carriage of Dangerous Goods by Inland Waterways
ADR	European Agreement concerning the International Carriage of Dangerous Goods by Road
ATE	Acute Toxicity Estimate
BLV	Biological limit value
CAS-No.	Chemical Abstract Service number
CLP	Classification Labelling Packaging Regulation; Regulation (EC) No 1272/2008
DMEL	Derived Minimal Effect level
DNEL	Derived-No Effect Level
EC50	Median effective concentration
EC-No.	European Community number
EN	European Standard
IATA	International Air Transport Association
IMDG	International Maritime Dangerous Goods

Technical Report No. 64.168.20.60023.01
Rev.00
Dated 2020-07-10

LC50	Median lethal concentration
LD50	Median lethal dose
LOAEL	Lowest Observed Adverse Effect Level
NOAEC	No-Observed Adverse Effect Concentration
NOAEL	No-Observed Adverse Effect Level
NOEC	No-Observed Effect Concentration
OEL	Occupational Exposure Limit
PBT	Persistent Bioaccumulative Toxic
PNEC	Predicted No-Effect Concentration
REACH	Registration, Evaluation, Authorisation and Restriction of Chemicals Regulation (EC) No 1907/2006
RID	Regulations concerning the International Carriage of Dangerous Goods by Rail
SDS	Safety Data Sheet
vPvB	Very Persistent and Very Bioaccumulative
WGK	Water Hazard Class

Data sources : Loli. ECHA reference.
 Training advice : Normal use of this product shall imply use in accordance with the instructions on the packaging.

Classification according to Regulation (EC) No. 1272/2008 [CLP]:	
Not classified	



Technical Report No. 64.168.20.60023.01
Rev.00
Dated 2020-07-10

Full text of H- and EUH-statements:	
Flam. Sol. 1	Flammable solids, Category 1
Water-react. 2	Substances and Mixtures which, in contact with water, emit flammable gases, Category 2
H228	Flammable solid.
H261	In contact with water releases flammable gases.

SDS EU (REACH Annex II)

This information is based on our current knowledge and is intended to describe the product for the purposes of health, safety and environmental requirements only. It should not therefore be construed as guaranteeing any specific property of the product.



Blank Page



Shire Electric Outboard Registration Form

Owner Name: Address:	Dealer Name: Address:
Tel: Email:	Tel: Email:
Product Model:	Serial Number:
Rental Use: Yes/No	Location:
Date of Delivery:	
Owner signature:	Dealer signature:
Please return this form by post to: <p style="text-align: center;">Special Products Division Warranty E. P. Barrus Ltd Glen Way, Launton Road, Bicester, Oxfordshire, OX26 4UR</p> OR by email to: Richard.Cooke@barrus.co.uk	

Please keep a copy of the form for your own records.